

Bellini®

USER MANUAL

CHARCOAL
FILTERS
INCLUDED



52cm & 75cm Undermount Rangehood

Model No. BRA52UX - FINELINE: 81476
BRA52UX-F
BRA75UX - FINELINE: 133506
BRA75UX-F

GSM Retail Australia Pty Ltd ABN: 53 007 582 475
For Warranty and technical queries: Australia 1300 373 199
For Warranty and technical queries: New Zealand 0800 764 912
www.belliniappliances.com.au

V9 January 2023

Thank you.

Thank you for choosing Bellini Appliances.

This Bellini appliance carry a 3 year in home warranty, be sure to retain your user manual and receipt.

For all warranty and technical queries please phone:

Australia 1300 373 199

New Zealand 0800 764 912

Contents

Safety Instructions-----	2
Installation-----	5
Start Using your Appliance-----	8
Troubleshooting-----	8
Maintenance & Cleaning -----	9
Environment Protection-----	12
Warranty-----	13

SAFETY INSTRUCTIONS

This manual explains the proper installation and use of your rangehood, please read it carefully before using even if you are familiar with the product. The manual should be kept in a safe place for future reference.

Never to do:

- Do not try to use the rangehood without the grease filters or if the filters are excessively greasy!
- Do not install above a cooktop with a high level grill.
- Do not leave frying pans unattended during use because overheated fats or oils might catch fire.
- Never leave naked flames under the rangehood.



- If the rangehood is damaged, do not attempt to use.
- Do not flambé under the rangehood.
- CAUTION: Accessible parts may become hot when used with cooking appliances.
- The minimum distance between the supporting surface for the cooking vessels on the hob and the lowest part of the rangehood. (When the rangehood is located above a gas appliance, this distance shall be at least 65 cm)
- The air must not be discharged into a flue that is used for exhausting fumes from appliances burning gas or other fuels.



Always to do:

- Important! Always switch off the electricity supply at the mains during installation and maintenance such as light bulb replacement.
- The rangehood must be installed in accordance with the installation instructions and all measurements followed.
- All installation work must be carried out by a competent person or qualified electrician.
- Please dispose of the packing material carefully. Children are vulnerable to it.
- Pay attention to the sharp edges inside the rangehood especially during installation and cleaning.
- Make sure the ducting has no bends sharper than 90 degrees as this will reduce the efficiency of the rangehood.
- Warning: Failure to install the screws or fixing device in accordance with these instructions may result in electrical hazards.
- Warning: Before obtaining access to terminals, all supply circuits must be disconnected.

Always to do:

- Always put lids on pots and pans when cooking on a gas cooker.
- When in extraction mode, air in the room is being removed by the rangehood. Please make sure that proper ventilation measures are being observed. The rangehood removes odours from room but not steam.
- Rangehood is for domestic use only.





- If the supply cord is damaged, it must be replaced by the manufacturer, its service agent or similarly qualified persons in order to avoid a hazard.
- This appliance can be used by children aged from 8 years and above and persons with reduced physical, sensory or mental capabilities or lack of experience and knowledge if they have been given supervision or instruction concerning use of the appliance in a safe way and understand the hazards involved. Children shall not play with the appliance. Cleaning and user maintenance shall not be made by children without supervision.



Always to do:

- **Caution:** The appliance and its accessible parts can become hot during operation. Be careful to avoid touching the heating elements. Children younger than 8 years old should stay away unless they are under permanent supervision.
- There shall be adequate ventilation of the room when the rangehood is used at the same time as appliances burning gas or other fuels.
- There is a fire risk if cleaning is not carried out in accordance with the instructions.
- Regulations concerning the discharge of air have to be fulfilled.
- Clean your appliance periodically by following the method given in the chapter MAINTENANCE.
- For safety reason, please use only the same size of fixing or mounting screw which are recommended in this instruction manual.
- Regarding the details about the method and frequency of cleaning, please refer to maintenance and cleaning section in the instruction manual.
- Cleaning and user maintenance shall not be made by children without supervision.
- When the range hood and appliances supplied with energy other than electricity are simultaneously in operation, the negative pressure in the room must not exceed 4 Pa (4 x 10⁻⁵ bar).
- **WARNING:** Danger of fire: do not store items on the cooking surfaces.
- A steam cleaner is not to be used.
- **NEVER** try to extinguish a fire with water, but switch off the appliance and then cover flame e.g. with a lid or a fire blanket.

PRODUCT DESCRIPTION

Accessories bag		
Description	Picture	QTY
v-flap(150)		1 pair
ST4*18mm screws		8
Installation & User Manual		1

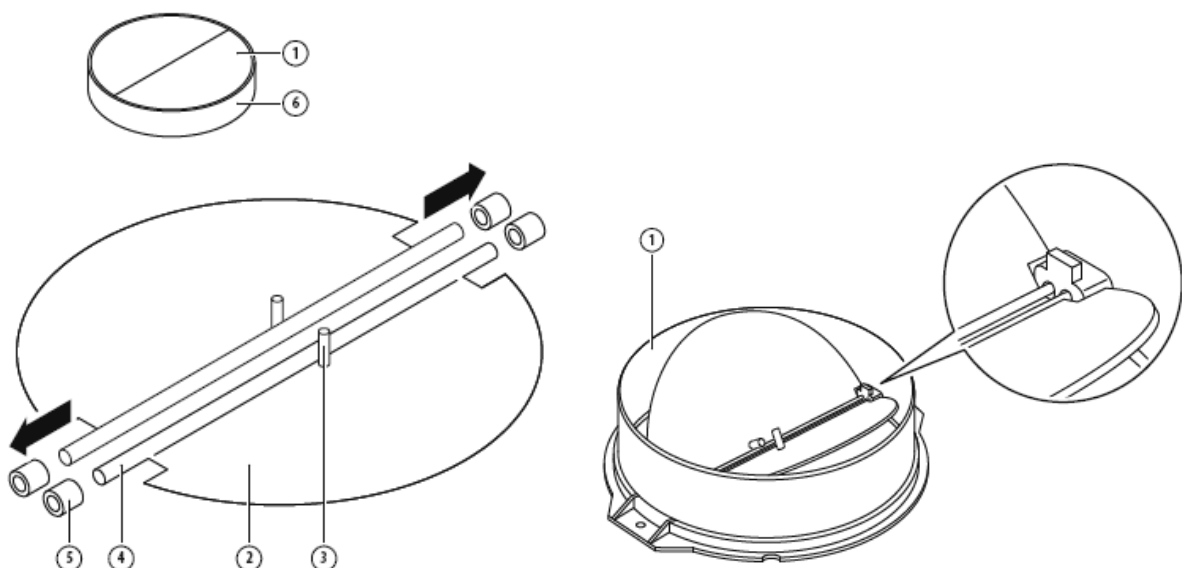
INSTALLATION (VENT OUTSIDE)

MOUNTING OF THE V-FLAP

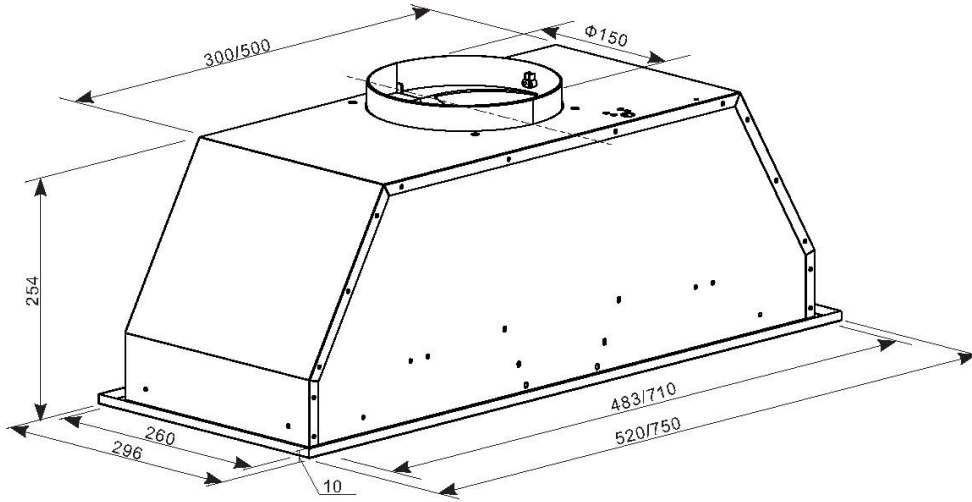
If the rangehood does not have an assembled V-flap 1, you should mount the half-parts to its body. The images only show an example of how to mount the V-flap, because the outlet may vary according to different models and configurations.

To mount the V-flap 1 you should:

- Mount two half-parts 2 into the body 6
- the pin 3 should be top oriented;
- the axis 4 should be inserted into the holes 5 on the body;
- repeat all the operations for the 2nd half-part

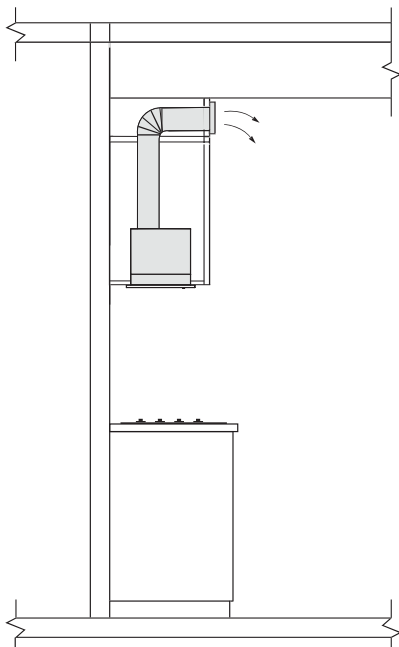


INSTALLATION

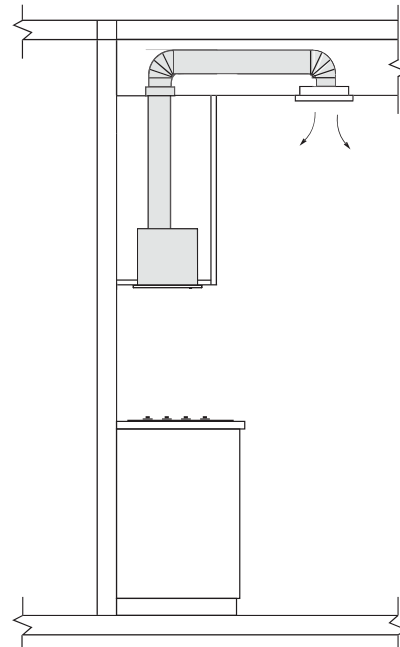


INSTALLATION

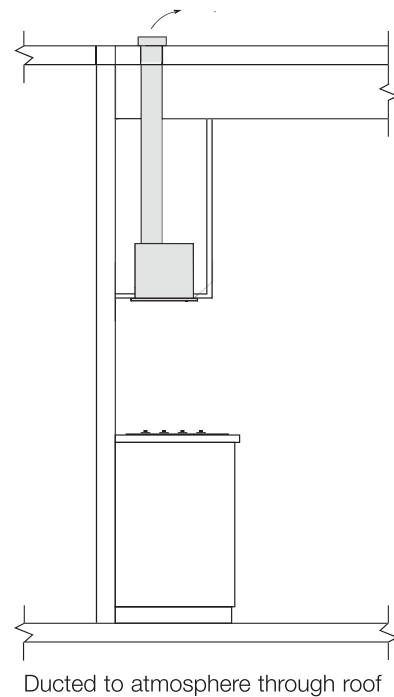
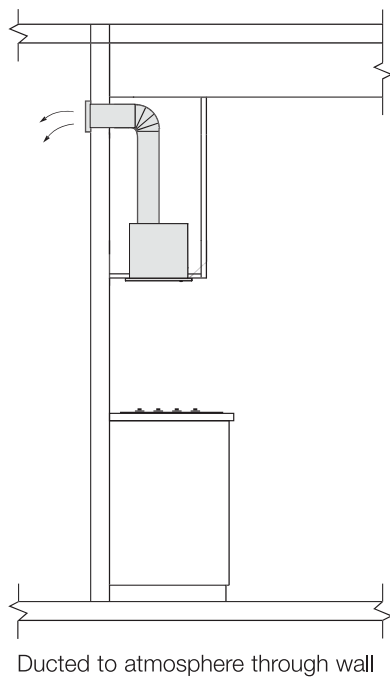
If you have an outlet to the outside, your rangehood can be connected as below picture by means of an extraction duct (enamel, aluminum, flexible pipe or non-flammable material with an interior diameter of 150mm)



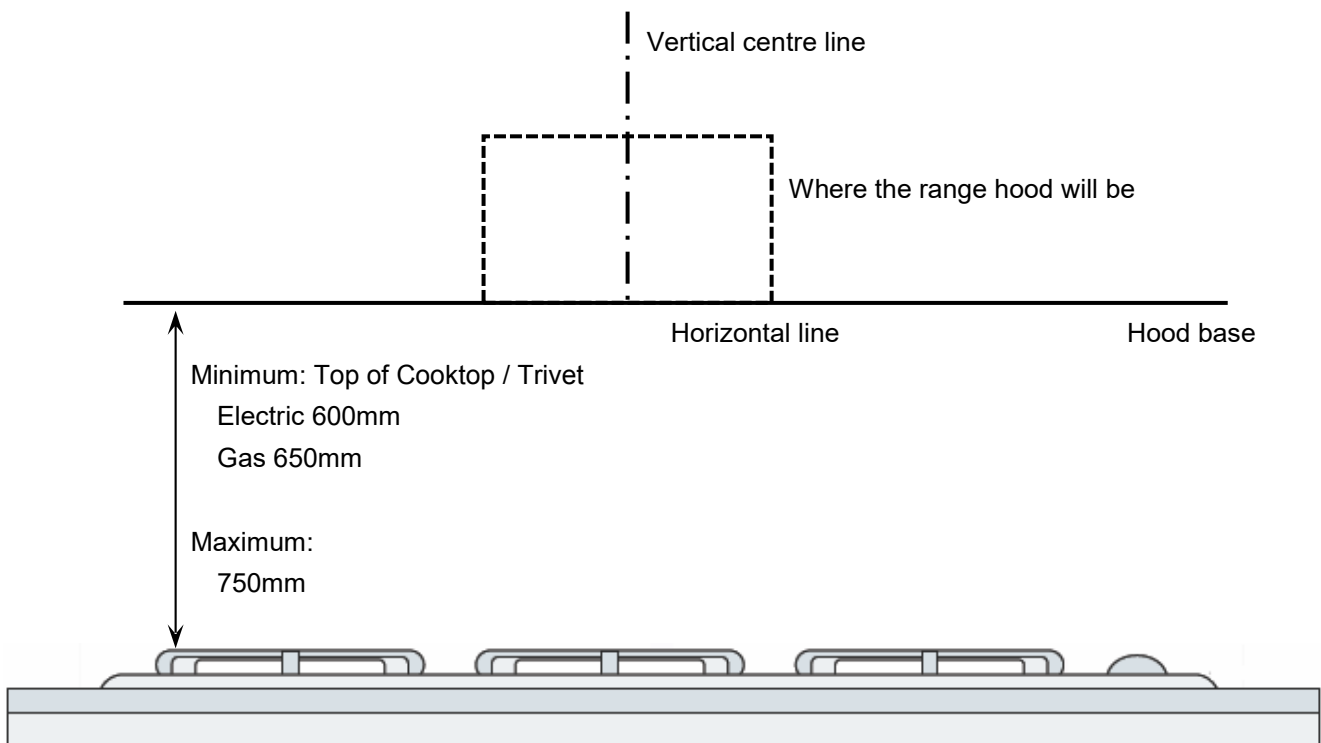
Recirculated to kitchen area via bulkhead



Recirculated to kitchen area via ceiling cavity

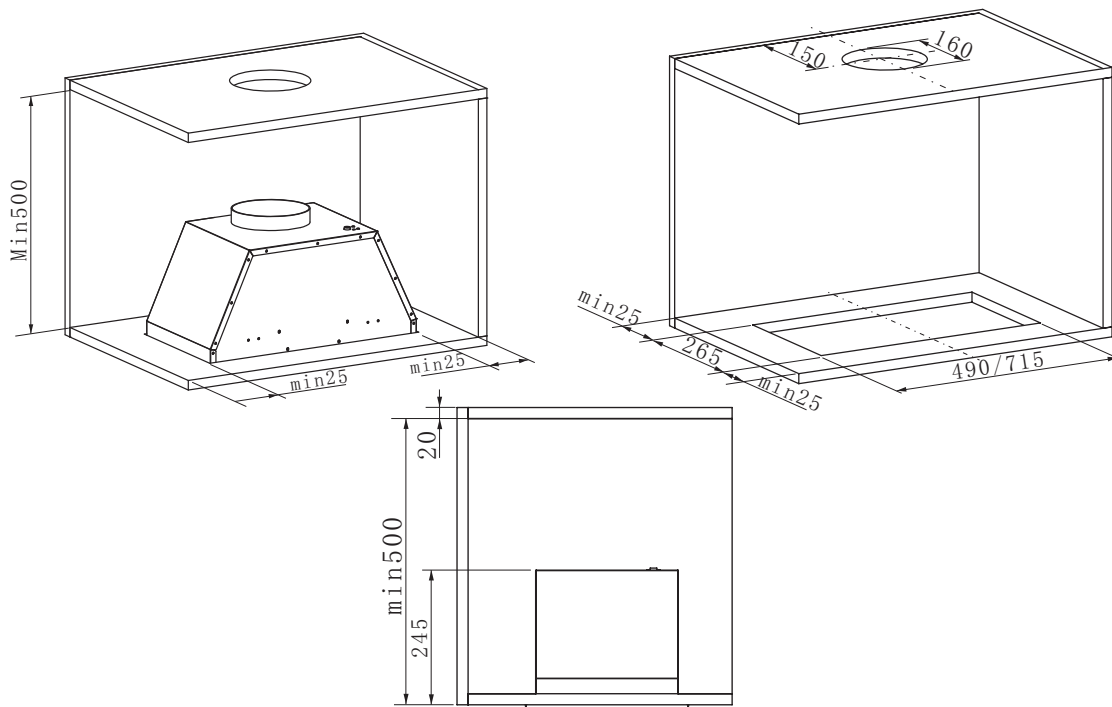


1. Before installation ensure that the cupboard is structurally sound and is capable of carrying the weight of the rangehood and that the rangehood distance between a cooktop and underneath the rangehood must be minimum of 600mm to a cooktop and a maximum height of 750mm.

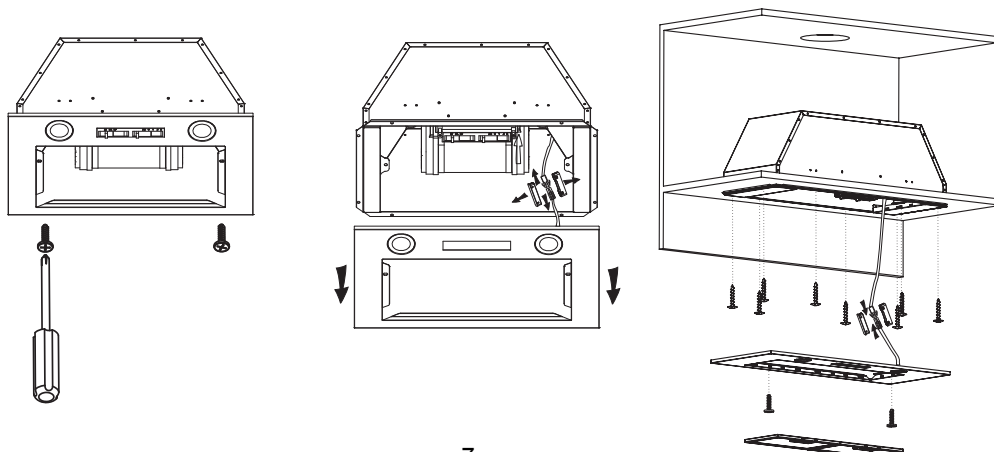


*If the instructions of the hob specify a greater distance than the minimum above, then that shall be the minimum height for installation


- The minimum requirement for the height of the inside cupboard is suggested 384mm to fit the undermount rangehood. Make sure the distance between the edge of the cut out hole and the back of the cupboard is at least 25mm and at least 25mm from the other cut out edges front and sides. The cut out hole in the cabinet should measure Width*depth 490*265 (mm) for BRA52UX and 715*265 (mm) for model BRA75UX. Refer pic below.



- Remove the aluminum filter and then use a screwdriver to remove the two screws on the panel. Pry out the lamp terminal box with flat screwdriver and unplug the lamp terminal. Finally, remove the panel.
- Mount the rangehood on the cabinet with 8 screws (ST4 x 18mm). Then connect the lamp terminal and cover it with lamp terminal box.
- Secure the front panel on the rangehood body with 2 screws (M4 x 10mm). Reinstall the aluminum filter in the rangehood.



Note: The expansion pipe is not included in the product.

<p>WARNING:</p> 	<ul style="list-style-type: none"> • For safety reason, please use only the same size of fixing or mounting screws which are recommended in this instruction manual. • Failure to install the screws or fixing device in accordance with these instructions may result in electrical hazards.
--	---

Start Using Your Rangehood

Toggle switch

There are 3 speeds for the motor and on/ off switch for the lamp

1. Lamp – Turn on/off light

“0” – to switch off light

“1” – to switch on light

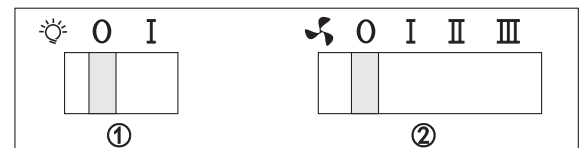
2 .Speed – select speed to suit cooking conditions

“0” – to switch off motor

Low(I) – light frying/boiling

Medium(II) – frying/wok cooking/heavy boiling

High (III) – grilling, intensive frying and wok cooking



TROUBLESHOOTING

Fault	Possible Cause	Solution
Light on, but motor does not work	Fan switch turned off.	Select a fan switch position.
	Fan switch failed.	Contact service center.
	Motor failed.	Contact service center.
Light does not work, motor does not work	House fuses blown.	Reset/Replace fuses.
	Mains power cable is loose or disconnected.	Refit mains power cable to power outlet. Switch power outlet on.
Oil leakage	One way valve and the outlet are not tightly sealed.	Take down the one way valve and seal with sealant.
	Leakage from the connection of chimney and cover.	Take chimney down and seal.

Lights not working	Broken or faulty bulbs.	Replace blubs as per this instruction.
Insufficient suction	The distance between the rangehood and the gas top is too far.	Refit the rangehood to the correct distance.
The rangehood inclines	The fixing screw is not tight enough.	Tighten the hanging screw and make it horizontal.

NOTE:



Any electrical repairs to this appliance must conform to your local, state and federal laws. Please contact the service centre if in any doubt before undertaking any of the above. Always disconnect the unit from the power source when opening the unit.

MAINTENANCE AND CLEANING

Caution:

- Before maintenance or cleaning is carried out, the rangehood should be disconnected from the mains power supply. Ensure that the rangehood is switched off at the wall socket and the plug removed.
- External surfaces are susceptible to scratches and abrasions, so please follow the cleaning instructions to ensure the best possible result is achieved without damage.



GENERAL

Cleaning and maintenance should be carried out with the appliance cold especially when cleaning. Avoid leaving alkaline or acid substances (lemon juice, vinegar etc.) on the surfaces.

STAINLESS STEEL

The stainless steel must be cleaned regularly (e.g. weekly) to ensure a long life expectancy. Dry with a clean soft cloth. A specialized stainless steel cleaning fluid may be used.

NOTE:

Ensure that wiping is done along with the grain of the stainless steel to prevent any unsightly crisscross scratching patterns from appearing.

CONTROL PANEL SURFACE

The inlay control panel can be cleaned using warm soapy water. Ensure the cloth is clean and well wrung before cleaning. Use a dry soft cloth to remove any excess moisture left after cleaning.

Important

Using neutral detergents and avoid using harsh cleaning chemicals, strong household detergents or products containing abrasives, as this will affect the appearance of the appliance and potentially remove any printing of artwork on the control panel and will void manufactures warranty.

GREASE MESH FILTERS

The mesh filters can be cleaned by hand. Soak them for about 3 minute in water with a mild detergent and then brush it gently with a soft brush. Please do not apply too much pressure so as to avoid any damage to it. (Leave to dry naturally out of direct sun light). Filters should be washed separately to crockery and kitchen utensils. It is advisable not to use rinse aid.



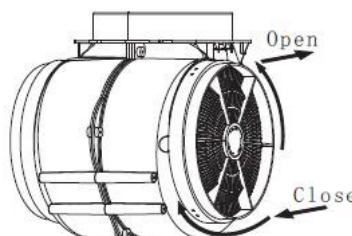
INSTALLING GREASE MESH FILTERS

- To install filters for the following four steps:
 - Angle the filter into the slots at the back of the hood.
 - Push the button on the handle of the filter.
 - Release the handle once the filter fits into a resting position.
 - Repeat to install all filters.

CARBON FILTER-not included in the product

Activated carbon filter can be used to trap odors. Normally the activated carbon filter should be changed every 3 to 6 months according to your cooking habits. The installation procedure of activated carbon filter is as below.

1. Before installing or replacing the carbon filters, please disconnect mains power to the unit.
2. Press the filter lock and remove the mesh filter.
3. Turn the carbon filter on both sides of the motor anti-clockwise. Replace the carbon filters with the new carbon filters.
4. Place the mesh filter.
5. Connect the power supply to the wall socket.



NOTE:

- Make sure the filter is securely locked. Otherwise, it would loosen and cause danger.
- When activated carbon filter attached, the suction power will be lowered.

BULB REPLACEMENT

Important :



- ✧ The bulb must be replaced by the manufacturer, its service agent or similarly qualified persons.
- ✧ Always switch off the electricity supply before carrying out any operations on the appliance. When handling bulb, make sure it has completely cooled down before any direct contact with hands.
- ✧ When handling bulbs hold with a cloth or gloves to ensure perspiration does not come in contact with the bulb as this can reduce the life of the bulb.

Note:

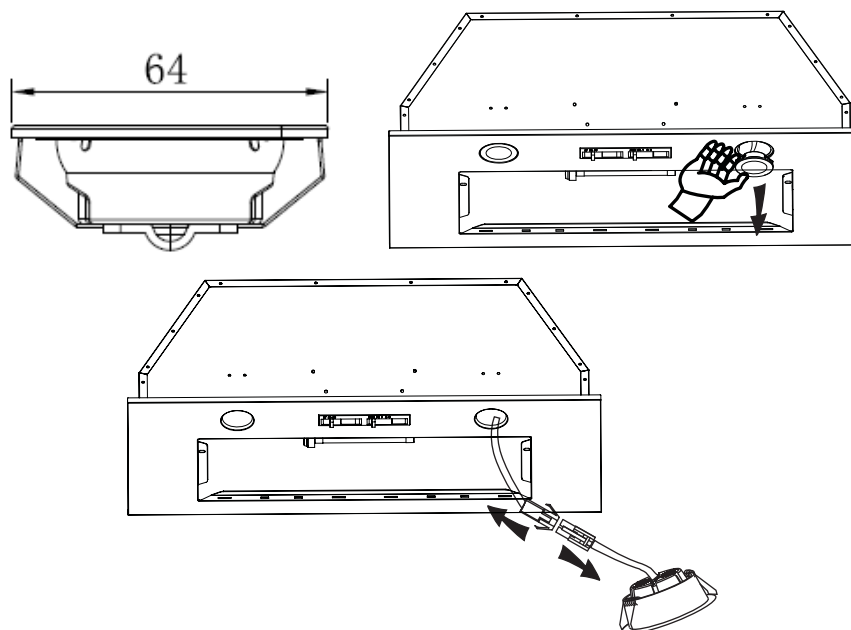
- Before changing the lights, make sure that the appliance is turned off and unplugged .
- Protect against danger when changing lights, such as wearing gloves.

Changing the lights:


- Remove the grease filter.
- Put one hand into the cavity to gently push out the LED light, and use the other hand to grab the light and pull it out, and then pull out the light cable.
- After changing the lamp, plug in the lamp cable, and press the lamp into the lamp hole.

• ILCOS D code for this lamp is: DBR-2/65-H-64

- LED modules –round lamp
- Max wattage: 2×2 W
- Voltage range: AC 110-240V
- Dimensions: 64mm



ENVIRONMENTAL PROTECTION:

	<p>This product is marked with the symbol on the selective sorting of waste electronic equipment. This means that this product must not be disposed of with household waste but must be supported by a system of selective collection in accordance with Directive 2012/19/EU. It will then be recycled or dismantled to minimize impacts on the environment, electrical and electronic products are potentially dangerous for the environment and human health due to the presence of hazardous substances. For more information, please contact your local or regional authorities.</p>
---	---

NOTE:

The following shows how to reduce total environmental impact (e.g. energy use) of the cooking process).

- (1) Install the rangehood in a proper place where there is efficient ventilation.
- (2) Clean the rangehood regularly so as not to block the airway.
- (3) Remember to switch off the rangehood light after cooking.
- (4) Remember to switch off the rangehood after cooking.

INFORMATION FOR DISMANTLING

Do not dismantle the appliance in a way which is not shown in the user manual. The appliance could not be dismantled by user. At the end of life, the appliance should not be disposed of with household waste. Check with your Local Authority or retailer for recycling advice.

WARRANTY

- 1.1 In this warranty:
- 1.1.1 Australian Consumer Law means the law as set out in Schedule 2 of the Competition and Consumer Act 2010;
 - 1.1.2 **Company** means GSM Retail Australia Pty Ltd ABN 53 007 682 475 of 142-144 Fullarton Road, Rose Park SA 5067. Telephone 1300 373 199. Email admin@gsmretailgroup.com
 - 1.1.3 **Consumer** means a “consumer” as that term is defined in Section 3 of the Australian Consumer Law as the original purchaser of a Bellini product;
 - 1.1.4 **Consumer Guarantees** means the guarantees under the Australian Consumer Law;
 - 1.1.5 **You** means the Consumer.
- 1.2 Nothing in this warranty affects any person’s rights under the Australian Consumer Law. The benefits to any Consumer under this warranty are in addition to the rights and remedies available under any Consumer Guarantees.
- 1.3 Subject to the other clauses of this warranty, the Company warrants to the Consumer that the Bellini product will be free of manufacturing defects and will perform to the Company’s specifications.
- 1.4 The benefit of this warranty extends only to the Consumer as original purchaser of a Bellini product which is installed in a domestic household area.
- *The in Home warranty does not apply to Commercial and or industrial usage. *Please See 1.7.7 for additional information*
- 1.5 This warranty commences on the date of purchase of the Bellini product by the Consumer and continues for the benefit only of the Consumer until the expiry of three (3) year **(Warranty Period)**.
- 1.6 If within the Warranty Period a manufacturing defect is discovered in the Bellini product or it fails to perform to the Company’s specifications as a result of some defect in materials, components or workmanship (Defect) then the Company will, at its option, repair the Bellini product or supply a replacement Bellini product free of charge. A replacement Bellini product may differ from the original product purchased by the Consumer.
- 1.7 This warranty will not apply to any Bellini product:
- 1.7.1 Installed by any person other than a qualified tradesperson; or
 - 1.7.2 Subjected to misuse, neglect, negligence or accidental damage; or
 - 1.7.3 Operated in any way contrary to any operating or maintenance instructions; or
 - 1.7.4 Improperly handled, installed or maintained; or
 - 1.7.5 Altered or modified prior to or after installation; or
 - 1.7.6 Damaged directly or indirectly by power surges, electrical storm damage or connection to incorrect power supply
 - 1.7.7 Industrial and or Commercial usage is inclusive of staff areas in office/ shop environments, hotel/ motel or other similar accommodation or rental type properties including Bed and Breakfast establishments.

The Australian Consumer Law requires the inclusion of the following statement with this warranty:

Our goods come with guaranteed that cannot be excluded under the Australian Consumer Law. You are entitled to a replacement or refund for a major failure and for compensation for any other reasonably foreseeable loss or damage. You are also entitled to have the goods repaired or replaced if the goods fail to be of acceptable quality and the failure does not amount to a major failure.

- 1.8 You must provide proof of your purchase of the Bellini product and the date of purchase in order to obtain the benefit of this warranty.
- 1.9 If you live outside the service area of the Company or one of its service agents, this warranty does not cover the cost of transport of the Bellini product for service nor the service agent's traveling costs to and from your home.
- 1.10 If you are required to transport the Bellini product to the Company or its service agent, you must ensure it is safely disconnected by a qualified tradesman and securely packed and insured. The Company does not accept any responsibility for loss or damage of the Bellini product prior to it being received by the Company or its service agent.
- 1.11 You will be responsible for all costs of returning a Bellini product to the Company and for redelivery of the Bellini product by the Company (whether it is the original or a repaired and/or a replacement Bellini product) and for any other expenses you incur in claiming under this warranty.
- 1.12 The Company or its service agent will examine any Bellini product and if the Company determines that it is defective through no fault of the Owner and is otherwise undamaged, the Company will repair or replace the Bellini product in accordance with this warranty.

DO NOT SEND IN THIS WARRANTY

Fill out the following details and file with your purchase invoice for safe keeping.

RETAIN & FILE WITH YOUR RECEIPT

Your Purchase Receipt/Invoice is proof of date of purchase. If you are unable to establish the date of purchase, or if the fault is not covered by this warranty, or if the product is found to be in working order, you will be required to bear all service call charges.

GSM Retail Australia Pty Ltd reserves the right to discontinue items, modify designs and change specifications without incurring obligation.

Whilst every effort is made to ensure that descriptions, specifications and other information in this publication is correct, no warranty is given in respect thereof and the company shall not be liable for any errors therein.

Purchased from:

Co. Name:

Address:

Date of Purchase:

Serial number:

NOTE: Consistent with our continuing product development policy, improvements may have been made which render the contents of this packaging slightly different to that shown.

**For Warranty and technical queries: Australia 1300 373 199
: New Zealand 0800 764 912**

