

# Bellini Coffee Capsule Machine

suitable for use with Nespresso® Coffee Capsules



bellini

**BTEM785TB**

# Important Safeguards

**When using electrical appliances, in order to reduce the risk of fire, electric shock and/or injury, these basic safety precautions should always be followed:**

## For Your Safety

***Read all instructions carefully, even if you are familiar with the appliance.***

- To protect against the risk of electric shock DO NOT IMMERSE the main unit, plug or cord into water or any other liquid.
- This appliance is not intended for use by persons (including children) with reduced physical, sensory and mental capabilities, or lack of experience and knowledge, unless they have been given supervision or instruction concerning use of the appliance by a person responsible for their safety.
- Never leave an appliance unattended when in use.
- Children should be supervised to ensure that they do not play with the appliance.
- Switch off and remove the plug from the power outlet before cleaning or when not in use. To unplug, grasp the plug and pull from the power outlet. Never pull the power cord and never carry the appliance by the power cord.
- Do not operate any appliance with a damaged power cord or plug after the appliance malfunctions, or is dropped or damaged in any manner
- Do not use outdoors.
- Store unit indoors in a dry location.
- Do not let the power cord hang over the edge of table or counter, or touch hot surfaces. Do not operate or place any part of this appliance on or near a hot gas or electric burner or in a heated oven.
- The use of attachments or accessories not recommended or sold by the manufacturer may cause fire, electric shock or injury.
- Operate on a level surface. Operating on sinks, drain boards or uneven surfaces must be avoided.
- Do not use any appliance for anything other than its intended use.
- This product is intended for household use only.
- Do not attempt to repair or disassemble the appliance. There are no user serviceable parts.
- Never use harsh, abrasive, caustic or oven cleaners to clean this appliance. Allow to cool before cleaning.
- Do not touch hot surfaces.
- Do not use this appliance with an extension lead.
- Do not operate underneath or near flammable materials, such as curtains or drapes or any other combustible material.
- Do not touch the hot surfaces of this appliance. Severe burns may result from misuse.
- Caution should be taken when handling this appliance as some surfaces may be hot during and immediately after use.
- Never use this appliance without the water tank being filled. Always use cold water to fill the appliance; never use warm or hot water.
- Wait for the unit to cool before cleaning. Never use harsh, abrasive, caustic or oven cleaners to clean the appliance.
- Keep the appliance away from direct sunlight, humidity and sharp edges.
- Position the appliance at least 10cm from the wall, back and sides.
- Do not place in rooms where the temperature is below 0 °C. The residual water could freeze and cause damage.
- When lifting the appliance hold the housing, never the water tank. Do not move the machine while in operation.

## Warning

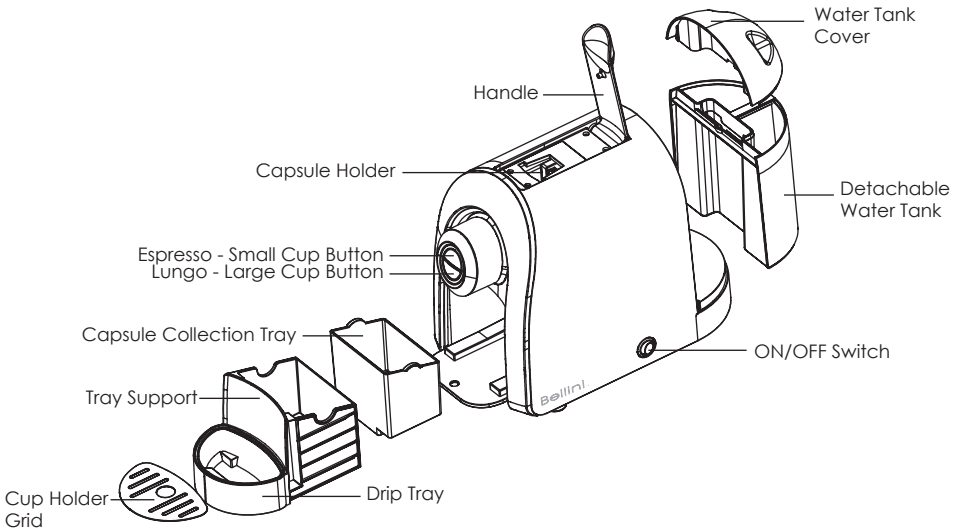
If the power cord is damaged, the power cord must be replaced by the manufacturer, its service agent or similarly qualified persons in order to avoid a hazard.

This product has not been designed for any uses other than those specified in this booklet.

## Save These Instructions

Suitable for Nespresso®  
Coffee Capsules Only

# Features of Your Bellini Coffee Capsule Machine Suitable with Nespresso® capsules



# Getting to Know Your Bellini Coffee Capsule Machine

## Suitable with Nespresso® capsules

Congratulations on the purchase of your new Bellini Coffee Capsule Machine.

Before first using your new Coffee Capsule Machine, it is most important that you read and follow the instructions in this use and care booklet, even if you feel you are familiar with this type of appliance.

Your attention is drawn particularly to the section dealing with IMPORTANT SAFEGUARDS. Find a safe and convenient place to keep this booklet handy for future reference.

This appliance has been designed to operate from a standard domestic power outlet. It is not intended for industrial or commercial use.

## Before first use

Remove and safely discard any packaging material and promotional labels.

Wash the water tank, drip tray, capsule collection tray and cup holder grid in warm soapy water and dry thoroughly. These parts are not dishwasher safe. Use a damp cloth to clean the outside of the unit.

Check that all accessories are complete and the unit is not damaged. Add water into water tank, place a cup on the cup holder grid, insert the plug into a standard domestic power outlet and switch on. Turn on the ON/OFF switch and the red Cup button indicator light will illuminate, the appliance will then start to preheat. The Cup buttons indicator lights will not turn off until the ON/OFF switch is switched off. Wait until the blue indicator Cup Button light has illuminated. Once they illuminate in blue light, press the Lungo (large) Cup Button, the hot water will flow out from the coffee nozzle. Repeat this procedure and press the Cup button until the cup is filled with hot water. Clean all detachable parts thoroughly.

**Note: When you press the coffee button, the machine may produce a pumping sound, this is normal.**

## Using the Bellini Coffee Capsule Machine Suitable with Nespresso® capsules

1. Fill the detachable water tank with cold water. Take care not fill above the "MAX" water level mark on the tank.
2. Open the handle by lifting it and insert a **Nespresso® Coffee Capsule only.** Close the handle by pushing it down directly.

**Note: Never insert your finger into the capsule holder.**

3. Put the power plug into a standard domestic power outlet and switch on. Turn on the ON/OFF switch and the red indicator light will illuminate. Wait until the blue indicator cup buttons illuminate.
- Caution:** During the brewing process, never open the handle; otherwise the coffee capsule will be expelled into the collection tray.
4. Position a cup on the cup holder grid. Make sure the drip tray is assembled in place.
5. Once the red indicator light around the Cup Buttons is turn off, and the blue indicator light illuminates, it means the preheating is finished, you can make coffee by pressing the Lungo (large) cup button (approx. 60ml) or Espresso (small) cup button (approx. 30ml), the coffee will flow out from the coffee nozzle. Once the desired quantity has been reached, the flow will stop automatically. Or you can stop it by pressing the Espresso (small) cup or Lungo (large) cup button at anytime during brewing. Leave the cup in place for up to 30 seconds to catch dripping coffee.
6. Once you have made a coffee always expel the capsule. Capsules are automatically expelled into the capsule collection tray by opening the handle.

7. **After each coffee making session, when the last capsule has been expelled from the chamber and the blue ( Ready ) light has once again illuminated, flush the lines with hot, clean water until clear, by pressing the lungo cup button. This will ensure that no coffee deposits are left behind that could potentially clog the lines after deposits have dried up.**

8. Always turn the Coffee Capsule Machine off and disconnect the power supply when not in use.

**9. Suitable for Nespresso® Coffee Capsules Only.**

10. The amount of coffee for Espresso (small) cup and Lungo (large) cup can be adjusted. Press and hold the small cup button or large cup button for approximately 3 seconds, until the indicator light is flashing, then release the Espresso (small) cup button or Lungo (large) cup button, the machine will enter coffee quantity adjustment mode, when your desired quantity is reached, press the corresponding button again. The machine will memorize this coffee quantity for next use.

11. To return to the original coffee quantity default setting , you must push the ESPRESSO (Small) and LUNGO (Large) buttons simultaneously for approximately 3 Seconds until indicator light is flashing.

This machine is only suitable with Nespresso® Coffee Capsules - do not use other coffee capsules

## Care and Cleaning

1. Switch off and unplug the Coffee Capsule Machine from the power outlet.
2. Allow the appliance to cool completely.
3. Wash the water tank, drip tray, capsule collection tray and cup holder grid in warm soapy water and dry thoroughly. These parts are not dishwasher safe.
4. Use a damp cloth to clean the outside of the unit and dry thoroughly.
5. Replace all parts and keep for next use.

**Warning:** Do not use abrasive cleaners or scouring pads. Do not immerse the main unit, plug and cord in water.

**Note: To remove the drip tray, tilt the front edge up, then pull it out.**

# Trouble Shooting

<b>Problem</b>	<b>Solution</b>
No indicator lights illuminating	Check that the power plug has been inserted correctly into the socket, that the power switch is switched on.
The machine makes a strange noise	Check the tank is fitted correctly, and there is enough water in the tank
The lights are on but no coffee comes out	Please ensure no used capsule is left in the appliance. Wait for a few seconds, then try again with a new capsule.
There are signs of water at the bottom of machine	Make sure that the tank has been fitted correctly into position.
A slight hiss can be heard after the coffee has been released.	This is not a fault, but normal settling of the pressure control valve.

**G | S | M**

Gerard Sourcing & Manufacturing

**GSM International Ltd.**

Consumer Service Centre : 1300 373 199

GSM International Ltd has a policy of continual improvement throughout the product range.  
As such the unit contained within may differ slightly from the unit illustrated on the pack.

MADE IN CHINA for GSM International Ltd.



**N1028**

Cat. No. BTEM785TB  
October 2012