

# Bellini®

## USER MANUAL



## Built In Microwave

Model No. BMW28

FINELINE: 0404387

GSM Retail Australia Pty Ltd ABN: 53 007 582 475  
For Warranty and technical queries: Australia 1300 373 199  
For Warranty and technical queries: New Zealand 0800 764 912  
[www.belliniappliances.com.au](http://www.belliniappliances.com.au)

V3 January 2023

# Thank you.

Thank you for choosing Bellini Appliances.

This Bellini appliance carries a 3 year in home warranty, be sure to retain your user manual and receipt.

For all warranty and technical queries please phone:

**Australia 1300 373 199**

**New Zealand 0800 764 912**

# Contents

Safety Instructions -----	2
Installation -----	6
Operation Instructions -----	13
Troubleshooting -----	17
Warranty -----	18

## Safety Instructions

This manual explains the proper installation and use of your appliance, please read it carefully before using even if you are familiar with the product. The manual should be kept in a safe place for future reference. In case of failure, only the authorised Technical Service may repair this hob. Otherwise the guarantee will be null and void.

All Bellini Appliances are for domestic use only.

1. *This appliance is not intended for use by persons (including children) with reduced physical, sensory or mental capabilities, or lack of experience and knowledge, unless they have been given supervision or instruction concerning use of the appliance by a person responsible for their safety.*
2. *Children should be supervised to ensure that they do not play with the appliance.*
3. *If the supply cord is damaged, it must be replaced by the manufacturer, its service agent or similarly qualified persons in order to avoid a hazard. (For appliance with type Y attachment.)*
4. **WARNING:** *Ensure that the appliance is switched off before replacing the lamp to avoid the possibility of electric shock.*
5. **WARNING:** *It is hazardous for anyone other than a competent person to carry out any service or repair operation that involves the removal of a cover which gives protection against exposure to microwave energy.*
6. **WARNING:** *Liquids and other foods must not be heated in sealed containers since they are liable to explode.*
7. *When heating food in plastic or paper containers, keep an eye on the oven due to the possibility of ignition.*
8. *Only use utensils that are suitable for use in microwave ovens.*
9. *If smoke is emitted, switch off or unplug the appliance and keep the door closed in order to stifle any flames.*
10. *Microwave heating of beverages can result in delayed eruptive boiling, therefore care must be taken when handling the container.*
11. *The contents of feeding bottles and baby food jars shall be stirred or shaken and the temperature checked before consumption, in order to avoid burns.*
12. *Eggs in their shell and whole hard-boiled eggs should not be heated in microwave ovens since they may explode, even after microwave heating has ended.*
13. *The oven should be cleaned regularly and any food deposits removed.*
14. *Failure to maintain the oven in a clean condition could lead to deterioration of the surface that could adversely affect the life of the appliance and possibly result in a hazardous situation.*
15. *Only use the temperature probe recommended for this oven. (For ovens provided with a facility to use a temperature-sensing probe.)*
16. *The microwave oven must be operated with the decorative door open. (For ovens with a decorative door.)*
17. *This appliance is intended to be used in household and similar applications such as:*
  - *staff kitchen areas in shops, offices and other working environments;*
  - *by clients in hotels, motels and other residential type environments;*
  - *farm houses;*
  - *bed and breakfast type environments.*
18. *The microwave oven is intended for heating food and beverages. Drying of food or clothing and heating of warming pads, slippers, sponges, damp cloth and similar may lead to risk of injury, ignition or fire.*
19. *Metallic containers for food and beverages are not allowed during microwave cooking.*
20. *The appliance shall not be cleaned with a steam cleaner.*
21. *The appliance must not be installed behind a decorative door in order to avoid overheating. (This is not applicable for appliances with decorative door.)*
22. *The microwave oven is intended to be used built-in.*
23. *Care should be taken not to displace the turntable when removing containers from the appliance. (For fixed appliances and built-in appliances being used equal or higher than 900mm above the floor and having detachable turntables. But this is not applicable for appliances with horizontal bottom hinged door.)*

## Safety Instructions

### DANGER

Electric Shock Hazard Touching some of the internal components can cause serious personal injury or death. Do not disassemble this appliance.

### WARNING

Electric Shock Hazard Improper use of the grounding can result in electric shock. Do not plug into an outlet until appliance is properly installed and grounded. This appliance must be grounded. In the event of an electrical short circuit, grounding reduces the risk of electric shock by providing an escape wire for the electric current.

This appliance is equipped with a cord having a grounding wire with a grounding plug. The plug must be plugged into an outlet that is properly installed and grounded.

Consult a qualified electrician or serviceman if the grounding instructions are not completely understood or if doubt exists as to whether the appliance is properly grounded.

If it is necessary to use an extension cord, use only a 3-wire extension cord.

1. A short power-supply cord is provided to reduce the risks resulting from becoming entangled in or tripping over a longer cord.
2. If a long cord set or extension cord is used:
  1. The marked electrical rating of the cord set or extension cord should be at least as great as the electrical rating of the appliance.
  2. The extension cord must be a grounding-type 3-wire cord.
  3. The long cord should be arranged so that it will not drape over the counter top or tabletop where it can be pulled on by children or tripped over unintentionally.

## PRECAUTIONS TO AVOID POSSIBLE EXPOSURE TO EXCESSIVE MICROWAVE ENERGY

- (a) Do not attempt to operate this oven with the door open since this can result in harmful exposure to microwave energy. It is important not to break or tamper with the safety interlocks.
- (b) Do not place any object between the oven front face and the door or allow soil or cleaner residue to accumulate on sealing surfaces.
- (c) **WARNING:** If the door or door seals are damaged, the oven must not be operated until it has been repaired by a competent person.

## ADDENDUM

If the apparatus is not maintained in a good state of cleanliness, its surface could be degraded and affect the lifespan of the apparatus and lead to a dangerous situation.

## Specifications

Model:	AM928BV1-S0EFF0
Rated Voltage:	240V~ 50Hz
Rated Input Power (Microwave):	1450W

## CLEANING

Be sure to unplug the appliance from the power supply.

1. Clean the cavity of the oven after using with a slightly damp cloth.
2. Clean the accessories in the usual way in soapy water.
3. The door frame and seal and neighboring parts must be cleaned carefully with a damp cloth when they are dirty.
4. Do not use harsh abrasive cleaners or sharp metal scrapers to clean the oven door glass since they can scratch the surface, which may result in shattering of the glass.
5. Cleaning Tip---For easier cleaning of the cavity walls that the food cooked can touch: Place half a lemon in a bowl, add 300ml (1/2 pint) water and heat on 100% microwave power for 10 minutes. Wipe the oven clean using a soft, dry cloth.

## UTENSILS

### CAUTION

#### Personal Injury Hazard

It is hazardous for anyone other than a competent person to carry out any service or repair operation that involves the removal of a cover which gives protection against exposure to microwave energy.

See the instructions on "Materials you can use in microwave oven or to be avoided in microwave oven." There may be certain non-metallic utensils that are not safe to use for microwaving. If in doubt, you can test the utensil in question following the procedure below.

Utensil Test:

1. Fill a microwave-safe container with 1 cup of co water (250ml) along with the utensil in question.
2. Cook on maximum power for 1 minute
3. Carefully feel the utensil. If the empty utensil warm, do not use it for microwave cooking.
4. Do not exceed 1 minute cooking time.

## Materials you can use in microwave oven

Utensil	Remarks
Browning dish	Follow manufacturer's instructions. The bottom of browning dish must be at least 3/16 inch (5mm) above the turntable. Incorrect usage may cause the turntable to break.
Dinnerware	Microwave-safe only. Follow manufacturer's instructions. Do not use cracked or chipped dishes.
Glass jars	Always remove lid. Use only to heat food until just warm. Most glass jars are not heat resistant and may break.
Glassware	Heat-resistant oven glassware only. Make sure there is no metallic trim. Do not use cracked or chipped dishes.
Oven cooking bags	Follow manufacturer's instructions. Do not close with metal tie. Make slits to allow steam to escape.
Paper plates and cups	Use for short-term cooking/warming only. Do not leave oven unattended while cooking.
Paper towels	Use to cover food for reheating and absorbing fat. Use with supervision for a short-term cooking only.
Parchment paper	Use as a cover to prevent splattering or a wrap for steaming.
Plastic	Microwave-safe only. Follow the manufacturer's instructions. Should be labeled "Microwave Safe". Some plastic containers soften, as the food inside gets hot. "Boiling bags" and tightly closed plastic bags should be slit, pierced or vented as directed by package.
Plastic wrap	Microwave-safe only. Use to cover food during cooking to retain moisture. Do not allow plastic wrap to touch food.
Thermometers	Microwave-safe only (meat and candy thermometers).
Wax paper	Use as a cover to prevent splattering and retain moisture.

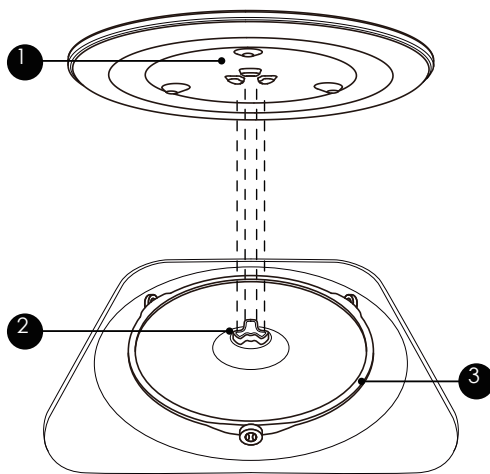
## Materials to be avoided in microwave oven

Utensils	Remarks
Aluminum tray	May cause arcing. Transfer food into microwave-safe dish.
Food carton with metal handle	May cause arcing. Transfer food into microwave-safe dish.
Metal or metal-trimmed utensils	Metal shields the food from microwave energy. Metal trim may cause arcing.
Metal twist ties	May cause arcing and could cause a fire in the oven.
Paper bags	May cause a fire in the oven.
Plastic foam	Plastic foam may melt or contaminate the liquid inside when exposed to high temperature.
Wood	Wood will dry out when used in the microwave oven and may split or crack.

## Installation

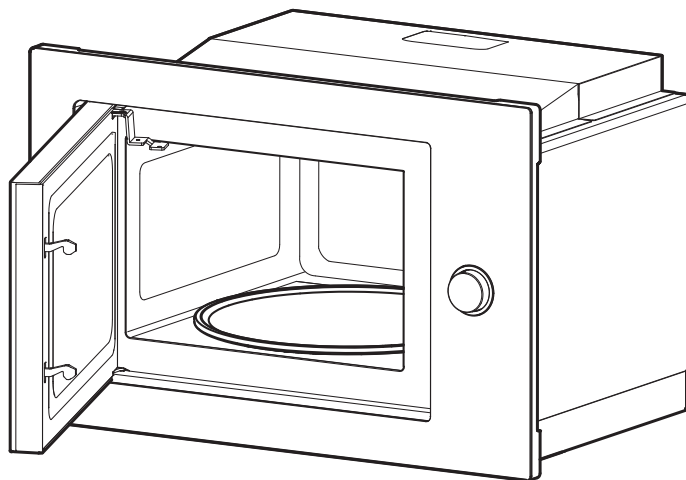
### TURNTABLE INSTALLATION

Cleaning the cooking compartment and putting the turntable in place. For new installations, make sure all packaging and shipping tape has been removed from the turntable shaft. Before using the appliance to prepare food for the first time, you will need to put the turntable in place correctly. You must clean the cooking compartment and accessories.



How to put the turntable in place:

1. Place the turntable ring assembly ③ into the recess in the cooking compartment.
2. Place the glass tray ① on the turntable ring assembly ③. Fit the raised, curved lines in the center of the glass tray bottom between the three spokes of the shaft. Make sure that the glass tray ① engages in the turntable shaft ② in the center of the cooking compartment floor. The rollers on the ③ should fit inside the turntable bottom ridge.



1. Never use the appliance without the turntable. Make sure that it properly engaged. The turntable can turn clockwise or anti-clockwise.
2. Never place the glass tray upside down. The glass tray should never be restricted.
3. Both glass tray and turntable ring assembly must always be used during cooking.
4. All food and containers of food are always placed on the glass tray for cooking.
5. Never restrict the movement of the turntable
6. If glass tray or turntable ring assembly cracks or breaks, contact your nearest authorized service center.



## Installation and connection

1. This appliance is only intended for domestic use.
2. This oven is intended for built-in use only. It is not intended for counter-top use or for use inside a cupboard.
3. Please observe the special installation instructions.
4. The appliance can be installed in a 60cm wide wall-mounted cupboard.
5. The appliance is fitted with a plug and must only be connected to a properly installed earthed socket.
6. The mains voltage must correspond to the voltage specified on the rating plate.
7. The socket must be installed and connecting cable must only be replaced by a qualified electrician. If the plug is no longer accessible following installation, an all-pole disconnecting device must be present on the installation side with a contact gap of at least 3mm.
8. Adapters, multi-way strips and extension leads must not be used. Overloading can result in a risk of fire.

**The accessible surface may be hot during operation.**



## Installing the Appliance

- The oven is fitted with a plug and must only be connected to a proper installed earthed socket. The socket must only be installed and the connecting cable must only be replaced by a qualified electrician, and in accordance with appropriate regulations. If the plug is no longer accessible following installation, an all-pole isolating switch must be present on the installation side with a contact gap of at least 3mm. The fitted cabinet must not have a back wall behind the appliance.

A gap must be maintained between the wall and the base of the unit above. Specific gap size could be referenced by the diagrams.

Minimum installation height: 85cm

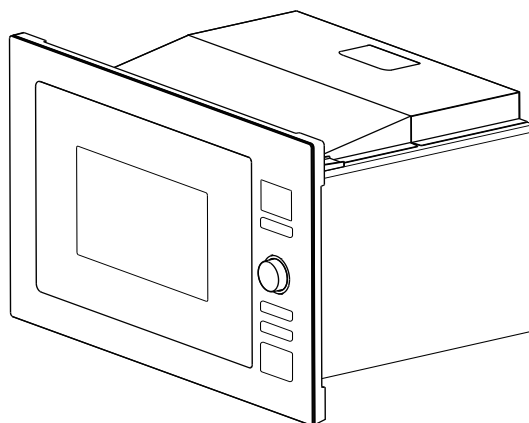
Do not cover ventilation slots and suction holes.

**Note:**

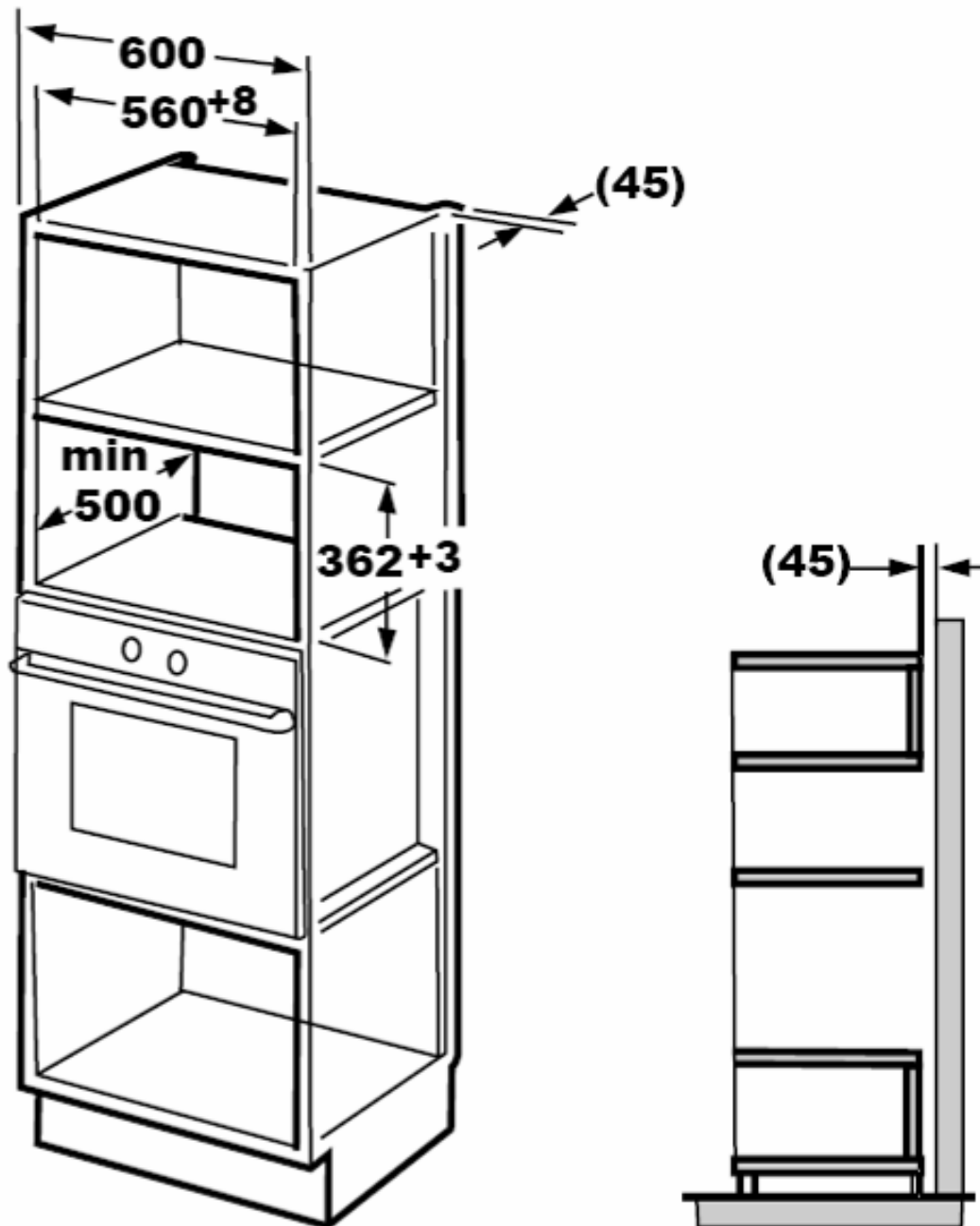
Do not trap or bend the power cable

🔩🔩🔩 Screw

📏 Mounting Plate

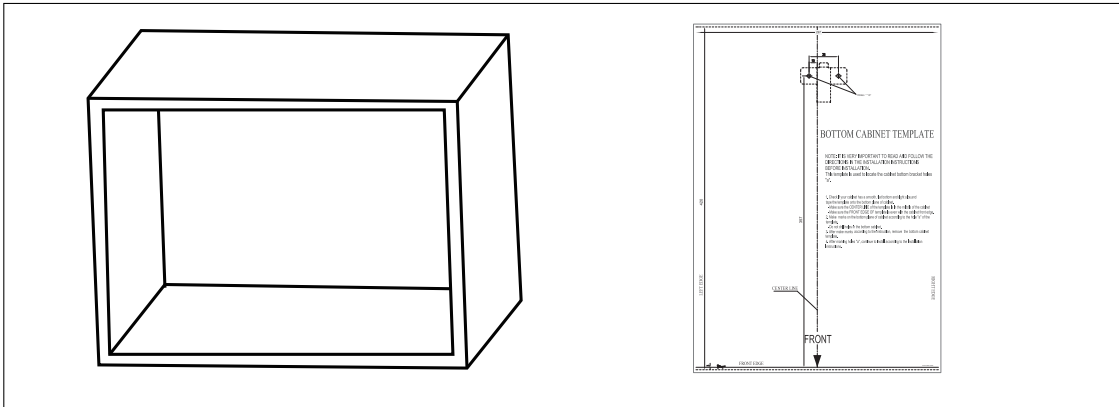


## A. Built-in furniture

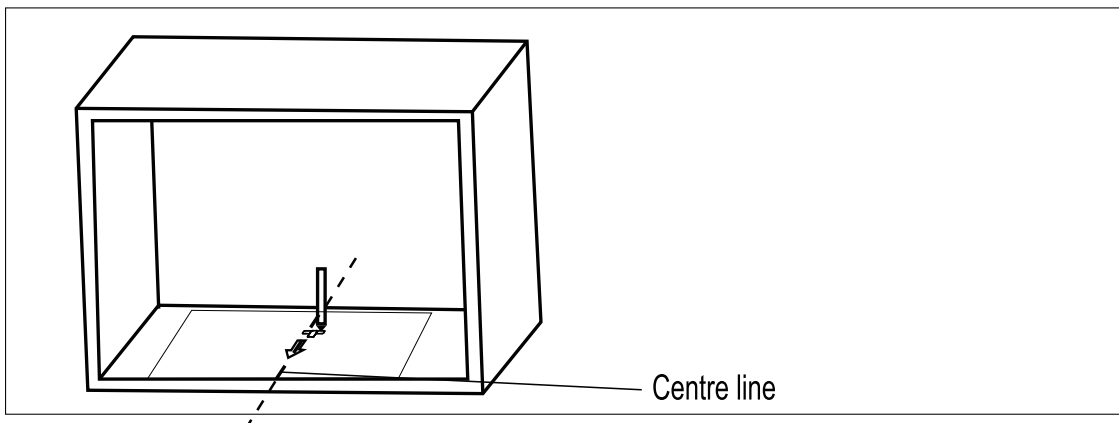


## B. Prepare the cabinet

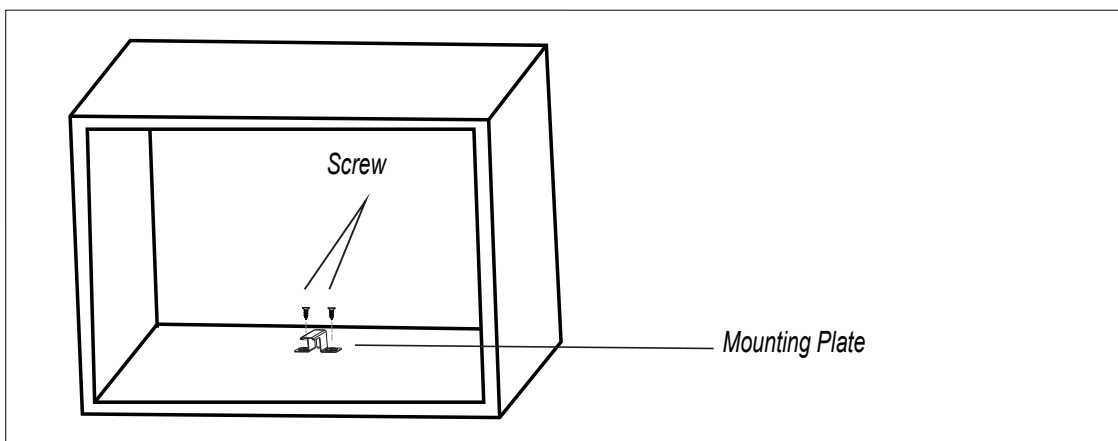
- 1.. Read the instruction on the **BOTTOM CABINET TEMPLATE**  
put the template on the bottom plane of cabinet.



- 2.. Make the marks on the bottom plane of cabinet according to marks "a" the template

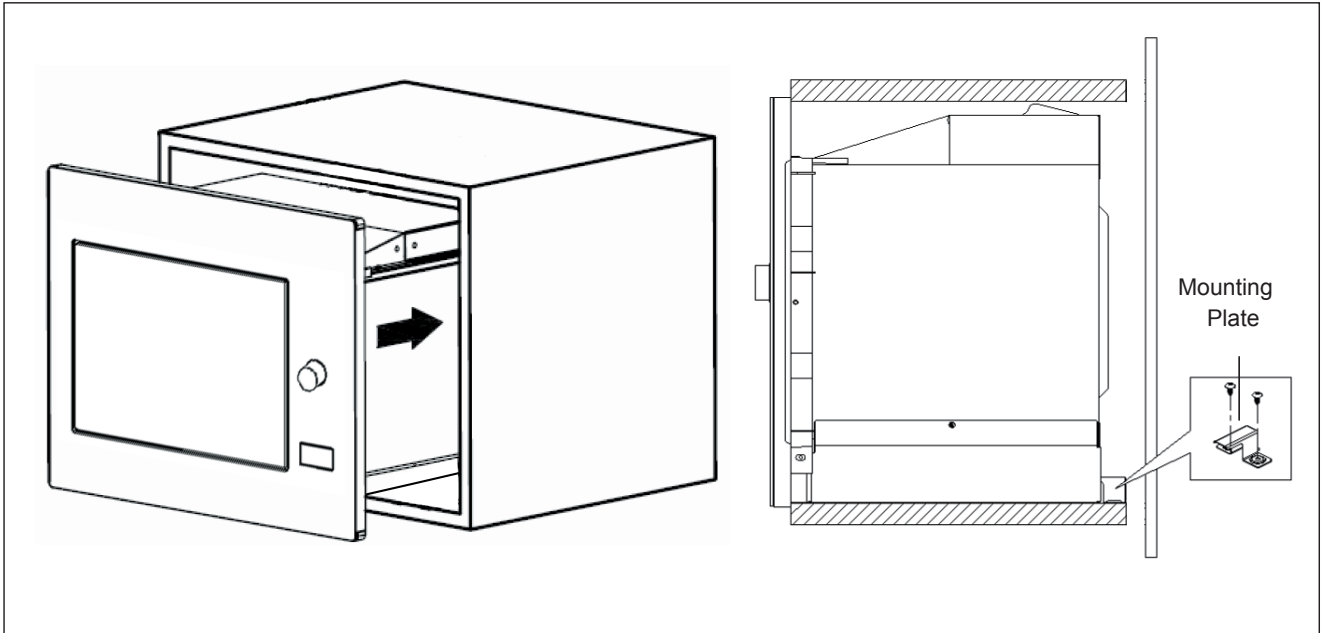


- 3.. Remove the bottom cabinet template and fix the mounting plate with screw.

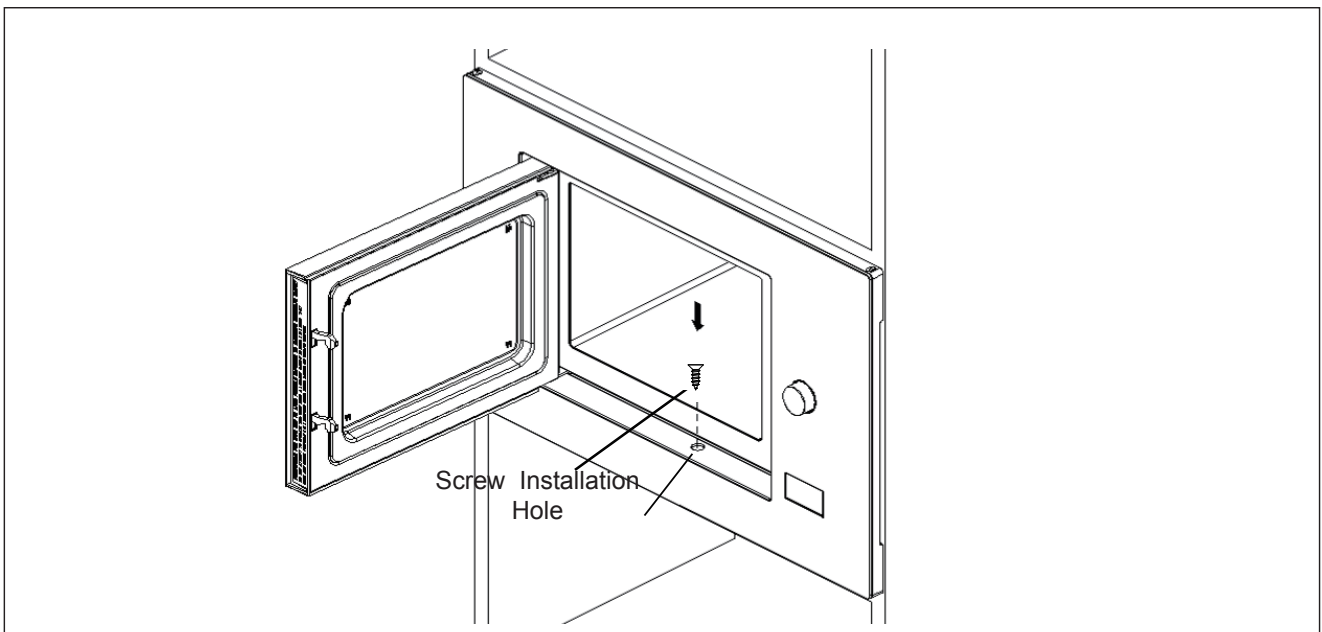


**C. Install the oven**

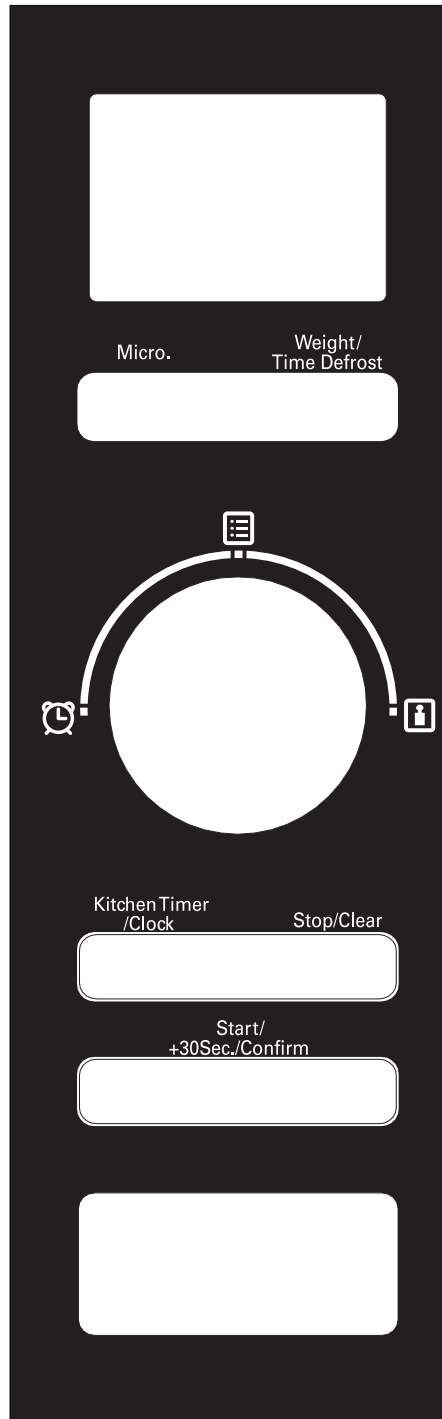
- 4. . Install the oven to the cabin
  - Make sure the back of the oven is locked by mounting plate
  - Do not trap or kink the power cord



- 5. Open the door, fix the oven to the cabinet then screw in the installation hole.



## Control Panel




## Operation Instructions

### 1. Clock Setting

When the microwave oven is electrified, the LED will display "0:00", buzzer will ring once.

1) Press **Kitchen Timer / Clock** twice to select clock function, the hour figures will flash.


---

2) Turn  to adjust the hour figures, the input time should be within 0--23.

---

3) Press "Kitchen Timer/Clock", the minute figures will flash.

---

4) Turn  to adjust the minute the input time should be within 0--59.

---


5) Press **Kitchen Timer / Clock** to finish clock setting. ":" will flash, and the time will light.


Note: 1) The clock will not work if it is not set when powered.

2) During the process of clock setting, if you do not press **Kitchen Timer / Clock** the oven will go back to the previous status automatically.

### 2. Microwave Cooking

Press " Micro. " the LED will display "P100 ". Press " Micro. " repeatedly or


turn  to choose the power you want, and "P100", "P80" "P250,

"P30" or "P10" will display for each added press. Then press " Start/+30Sec./ Confirm to confirm, and turn  to set cooking time from 0:05 to 95:00. Press Start/+30Sec./ Confirm "again to start cooking.

Example: If you want to use 80% microwave power to cook for 20 minutes, you can operate the oven as the following steps.

1) Press " Micro." once, the screen display "P100" .


---

2) Press " Micro. " once again or turn  to choose 80% microwave power.

---

3) Press " Start/+30Sec./Confirm " to start cooking

---

4) Turn  to adjust the cooking time until the oven displays 'P80'.


---

5) Press " Start/+30Sec./Confirm " to start cooking.

Note: the step quantities for the adjustment time of the coding switch are as follow:


0---1 min	:	5 seconds
1---5 min	:	10 seconds
5---10 min	:	30 seconds
10---30 min	:	1 minute
30---95 min	:	5 minutes

### 3. Kitchen Timer

- (1) Press "Kitchen Time/Clock" once, LED display 00:00.
- (2) Turn "  " to enter the correct timer. (The maximum cooking time is 95 minutes).
- (3) Press " Start/+30sec/Confirm" to confirm setting. Note:

There is not any program during the kitchen timer.

### 4. Quick Start

- 1) In waiting state, Press " Start/+30sec/Confirm" to start cooking with 100% power and 30 seconds directly.
- 2) In waiting state, turn "  " left to set the cook with 100% microwave power, and 90 minutes and then press " Start/+30sec/Confirm" to start cooking.


Notes: (1) In microwave cooking Grill cooking combination or multi stage state, each press of " Start/+30sec/Confirm" can increase 30 seconds of cooking time.

(2) Quick start can be one of the multi stage

### 5. Defrost By Weight

- 1) Press " Weight/Time Defrost" once, and the oven will display "dEF1".

---

- 2) Turn "  " to select the weight of food from 100 to 1000g.


---

- 3) Press " " Start/+30sec/Confirm" to start defrosting.

### 6. Defrost By Time

- 1) Press "Weight/Time Defrost" twice, and the oven will display "dEF2".

---

- 2) Turn "  " to select the defrost time. The MAX time is 95 minutes.

---

- 3) Press " Start/+30sec/Confirm" to start defrosting. The defrost power is P30, and will not be changed.




## 7. Multi-section cooking

(1) At most 2 sections can be set for cooking. In multi-section cooking, if one section is defrosting, then defrosting shall be placed in the first section. (2) Kitchen timer and auto menu can not as one of the multi stage. (3) Press "Start/+30sec/Confirm" to increase the cook time by 30 seconds each time except weight defrost.

Example: If you want to defrost food for 5 minutes and then cook with 80% microwave power for 7 minutes, operate it as the following:

1) Press "Weight/Time Defrost" twice, and the oven will display "dEF2".

---

2) Turn "" to select the defrost time till "5:00" display.

---

3) Press "Micro." once, the screen display "P100".


---

4) Press "Mirco. once again or turn "" to choose 80% microwave power.

---

5) Press "Start/+30sec/Confirm" to confirm, and the screen displays "P80".

---

6) Turn "" to adjust the cooking time till the oven displays "7:00".

---

7) Press "Start/+30sec/Confirm" to start cooking, and buzzer will sound once for the first section, defrosting time counts down; buzzer will sound once again entering the second cooking. Once the cooking is finished, the buzzer will go off 5 times.

## 8. Inquiring Function

(1) In states of microwave cooking, press "Micro", the current power will display for 3 seconds. After 3 seconds, the oven will turn back to the former state;


(2) In cooking state, press "Kitchen Timer/Clock" to inquire the time and the time will display for 3 seconds.

## 9. Lock-out Function for Children


Lock: In waiting state, press "Stop/Clear" for 3 seconds, there will be a long beep denoting entering the children-lock state and the current time will display if the time has been set, otherwise, the LED will display "0:00".

Lock quitting: In locked state, press "Stop/Clear" for 3 seconds, there will be a long "beep" denoting that the lock is released.

## 10. Auto Menu


1) Turn "  " right to choose the menu, and "A-1 to "A-8" will display, which means pizza, meat, vegetable, pasta, potato, fish, beverage and popcorn.

2) Press "Start/+30sec/Confirm" to confirm


3) Turn "  " to choose the default weight as the menu chart.

4) Press ""Start/+30sec/Confirm" to start cooking.

Example: If you want to use "Auto Menu" to cook fish for 350g.

1) Turn "  " clockwise till "A-6 " display.

2) Press ""Start/+30sec/Confirm" to confirm

3) Turn "  " to select the weight of fish till "350" display.

4) Press " "Start/+30sec/Confirm " to start cooking.

### Auto Menu

Menu	Weight	Display
A-1 Pizza	200 g	200
	400 g	400
A-2 Meat	250 g	250
	350 g	350
	450 g	450
A-3 Vegetable	200 g	200
	300 g	300
	400 g	400
A-4 Pasta	50g (with 450 cold water)	50
	100g( with 800 cold water)	100
A-5 Potato	200 g	200
	400 g	400
	600 g	600
A-6 Fish	250 g	250
	350 g	350
	450 g	450
A-7 Beverage	1 cup (about 120ml)	1
	2 cups (about 240ml)	2
	3 cups (about 360ml)	3
A-8 Popcorn	50g	50
	85g	85
	100g	100

## Troubleshooting

Normal	
Microwave oven interfering TV reception	Radio and TV reception may be interfered when microwave oven operating. It is similar to the interference of small electrical appliances, like mixer, vacuum cleaner, and electric fan. It is normal.
Dim oven light	In low power microwave cooking, oven light may become dim. It is normal.
Steam accumulating on door, hot air out of vents	In cooking, steam may come out of food. Most will get out from vents. But some may accumulate on cool place like oven door. It is normal.
Oven started accidentally with no food in.	It is forbidden to run the unit without any food inside. It is very dangerous.

Trouble	Possible Cause	Remedy
Oven cannot be started.	(1) Power cord is plugged in tightly.	Unplug. Then plug again after 10 seconds.
	(2) Fuse blowing circuit breaker works.	Replace fuse or reset circuit breaker (repaired by professional personnel of our company)
	(3) Trouble with outlet	Test outlet with other electrical appliances.
Oven does not heat.	(4) Door is not closed	Close door well.



According to Waste of Electrical and Electronic Equipment (WEEE) directive, WEEE should be separately collected and treated. If at any time in future you need to dispose of this product please do NOT dispose of this product with household waste. Please send this product to WEEE collecting points where available.



PN:P0000003213055

## WARRANTY

- 1.1 In this warranty:
  - 1.1.1 Australian Consumer Law means the law as set out in Schedule 2 of the Competition and Consumer Act 2010;
  - 1.1.2 **Company** means GSM Retail Australia Pty Ltd ABN 53 007 682 475 of 142-144 Fullarton Road, Rose Park SA 5067. Telephone 1300 373 199. Email [admin@gsmretailgroup.com](mailto:admin@gsmretailgroup.com)
  - 1.1.3 **Consumer** means a “consumer” as that term is defined in Section 3 of the Australian Consumer Law as the original purchaser of a Bellini product;
  - 1.1.4 **Consumer Guarantees** means the guarantees under the Australian Consumer Law;
  - 1.1.5 **You** means the Consumer.
- 1.2 Nothing in this warranty affects any person’s rights under the Australian Consumer Law. The benefits to any Consumer under this warranty are in addition to the rights and remedies available under any Consumer Guarantees.
- 1.3 Subject to the other clauses of this warranty, the Company warrants to the Consumer that the Bellini product will be free of manufacturing defects and will perform to the Company’s specifications.
- 1.4 The benefit of this warranty extends only to the Consumer as original purchaser of a Bellini product which is installed in a domestic household area.

*\*The in Home warranty does not apply to Commercial and or industrial usage. \*Please See 1.7.7 for additional information*
- 1.5 This warranty commences on the date of purchase of the Bellini product by the Consumer and continues for the benefit only of the Consumer until the expiry of three (3) year **(Warranty Period)**.
- 1.6 If within the Warranty Period a manufacturing defect is discovered in the Bellini product or it fails to perform to the Company’s specifications as a result of some defect in materials, components or workmanship (Defect) then the Company will, at its option, repair the Bellini product or supply a replacement Bellini product free of charge. A replacement Bellini product may differ from the original product purchased by the Consumer.
- 1.7 This warranty will not apply to any Bellini product:
  - 1.7.1 Installed by any person other than a qualified tradesperson; or
  - 1.7.2 Subjected to misuse, neglect, negligence or accidental damage; or
  - 1.7.3 Operated in any way contrary to any operating or maintenance instructions; or
  - 1.7.4 Improperly handled, installed or maintained; or
  - 1.7.5 Altered or modified prior to or after installation; or
  - 1.7.6 Damaged directly or indirectly by power surges, electrical storm damage or connection to incorrect power supply
  - 1.7.7 Industrial and or Commercial usage is inclusive of staff areas in office/ shop environments, hotel/ motel or other similar accommodation or rental type properties including Bed and Breakfast establishments.

The Australian Consumer Law requires the inclusion of the following statement with this warranty:

***Our goods come with guaranteed that cannot be excluded under the Australian Consumer Law. You are entitled to a replacement or refund for a major failure and for compensation for any other reasonably foreseeable loss or damage. You are also entitled to have the goods repaired or replaced if the goods fail to be of acceptable quality and the failure does not amount to a major failure.***

- 1.8 You must provide proof of your purchase of the Bellini product and the date of purchase in order to obtain the benefit of this warranty.
- 1.9 If you live outside the service area of the Company or one of its service agents, this warranty does not cover the cost of transport of the Bellini product for service nor the service agent's traveling costs to and from your home.
- 1.10 If you are required to transport the Bellini product to the Company or its service agent, you must ensure it is safely disconnected by a qualified tradesman and securely packed and insured. The Company does not accept any responsibility for loss or damage of the Bellini product prior to it being received by the Company or its service agent.
- 1.11 You will be responsible for all costs of returning a Bellini product to the Company and for redelivery of the Bellini product by the Company (whether it is the original or a repaired and/or a replacement Bellini product) and for any other expenses you incur in claiming under this warranty.
- 1.12 The Company or its service agent will examine any Bellini product and if the Company determines that it is defective through no fault of the Owner and is otherwise undamaged, the Company will repair or replace the Bellini product in accordance with this warranty.

**DO NOT SEND IN THIS WARRANTY**

Fill out the following details and file with your purchase invoice for safe keeping.

**RETAIN & FILE WITH YOUR RECEIPT**

Your Purchase Receipt/Invoice is proof of date of purchase. If you are unable to establish the date of purchase, or if the fault is not covered by this warranty, or if the product is found to be in working order, you will be required to bear all service call charges.

GSM Retail Australia Pty Ltd reserves the right to discontinue items, modify designs and change specifications without incurring obligation.

Whilst every effort is made to ensure that descriptions, specifications and other information in this publication is correct, no warranty is given in respect thereof and the company shall not be liable for any errors therein.

Purchased from:

Co. Name:

Address:

Date of Purchase:

Serial number:

NOTE: Consistent with our continuing product development policy, improvements may have been made which render the contents of this packaging slightly different to that shown.

**For Warranty and technical queries: Australia 1300 373 199  
: New Zealand 0800 764 912**

