

# Bellini

## INSTALLATION & OPERATION INSTRUCTIONS



**Compressor Beverage Cooler**  
**Model No. BBF145BI**  
**Model No. BBF145BI-F**

**FINELINE: 133507**

# Thank you for purchasing

Bellini Beverage Cooler, the appliance carries a 2 year replacement warranty, be sure to retain this Instruction Manual and receipt.

For Technical, queries please contact

**Aust: 1300 373 199**

**NZ: 0800 764 912**

## Content

Safety instructions & warnings.....	1-2
Description of the appliance.....	3
Installation & operation.....	5-6
Troubleshooting.....	7
Maintenance and cleaning.....	8
Technical parameters.....	9

# Safety instructions & warnings

Your safety is of the utmost importance to our company. Please make sure that you read this instruction booklet before attempting to install or use this appliance. If you are unsure of any of the information contained in this booklet, please contact the Technical Department.



Prohibition



Warning



Caution



Caution

- This appliance is not intended for use by person(including children) with reduced physical,sensory or mental capabilities or lack of experience and knowledge,unless they have been given supervision or instruction concerning use of the appliance by a person responsible for their safety.
- Children should be supervised to ensure that they do not play with the appliance.
- This appliance is intended for HOUSEHOLD USE ONLY and not for commercial or industrial use.



Warning

- Keep ventilation openings, in the appliance enclosure or in the built-in structure, clear of obstruction.
- Do not use mechanical devices or other means to accelerate the defrosting process, other than those recommended by the manufacturer.
- Do not damage the refrigerant circuit.
- Do not use electrical appliances inside the storage compartments of the appliance, unless they are of the type recommended by the manufacturer.

- Make sure that the appliance is connected to power supply in accordance with the rating label.
- Connect appliance directly to Domestic earthed 10A power outlet , do not plug in to extension cords , double adapters or power boards .
- Do not modify the cord and plug set fitted to the appliance .
- Ensure plug is fully inserted into the Domestic Power Outlet
- Plug should be within reach for easy disconnection after the appliance positioned in case of accidents occurred.
- Do not store or burn gasoline or other inflammables near the appliance in case of possible fire.
- Do not store inflammables, explosives, acid & alkaline liquids etc.in the compartment of the appliance

## Child Safety

- Do not allow children to play with the appliance,open doors or hide inside,they should be supervised at all times.
- Do not allow children to open and hang on the doors that may damage or tip over the appliance that may cause injury .

- Do not allow children to access or play behind the rear of the appliance, exposed metal components can cause injury.

### Keep away from water

- Do not spray water on the appliance or wash the appliance by pouring or filling water in case of invalid insulation and possible electric shock.

### Be careful of freezing

- Do not touch surface of the liner inside the compartment, especially with wet hand, in case of frozen injury while the appliance is in operation.

### Modification on the appliance not allowed

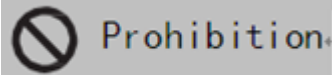
- Do not reconstruct the appliance by yourself which might cause damages to the appliance.

### Unplug the appliance under certain conditions

- Unplug the appliance before cleaning & maintenance.
- Unplug the appliance when power cut occurred.

### Disposal of the appliance

- Please adhere to local regulations regarding disposal of the appliance for its flammable refrigerant and gases.
- Before you scrap the appliance, please take off the doors to prevent children being trapped.
- Send the appliance to the designated disposal location.



### Do not damage the power cord

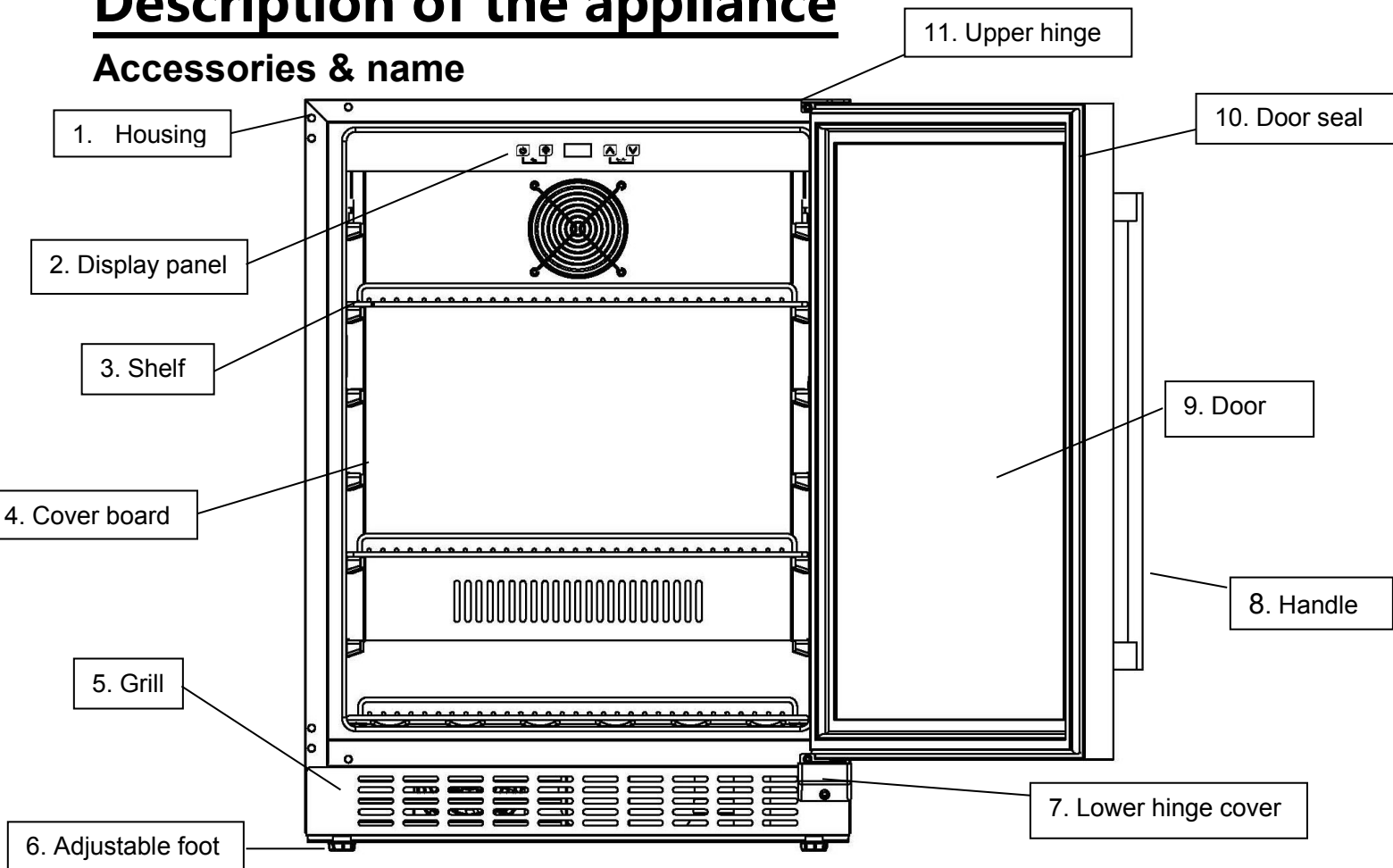
- Do not disconnect the appliance by pulling power cord rather than pulling the plug.
- Do not trap the power cord underneath the appliance and keep clear to avoid accidental damage to cord or plug.
- Keep power cord clear from the appliance when moving .

### When the power cord is damaged

- Do not use damaged power cord, and get it replaced immediately by manufacturer service agent or by qualified electrician.
- If needed, extend the power cord with cord of 0.75mm<sup>2</sup> or bigger by qualified electrician.

# Description of the appliance

## Accessories & name



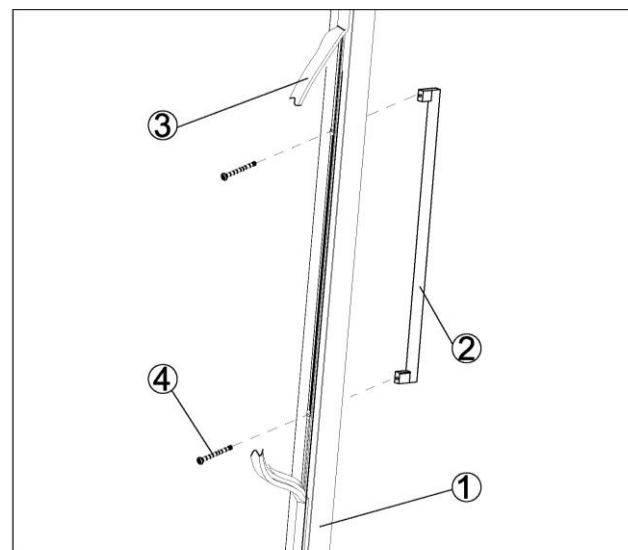
Note: Shelves, door frame, handle and other accessories could be different according to different models and configuration. All photos in this manual are for reference. The appliance you buy might not be exactly the same as shown here. Please refer to the actual product.

## Installing the handle

1. Install handle to the door frame of the appliance.

The handle is packaged separately with the mounting hardware inside the carton and handle must be fitted prior to installation.

(1) Expose the mounting holes in the door frame (2) by lifting portion of the door seals (3) upwards. Align the screw posts of the door handle with the holes in the door frame and secure the handle with 2 screws (4) with the aid of a screw driver tightly to the door frame. Fold sections of door seal back in place to conceal screw heads.



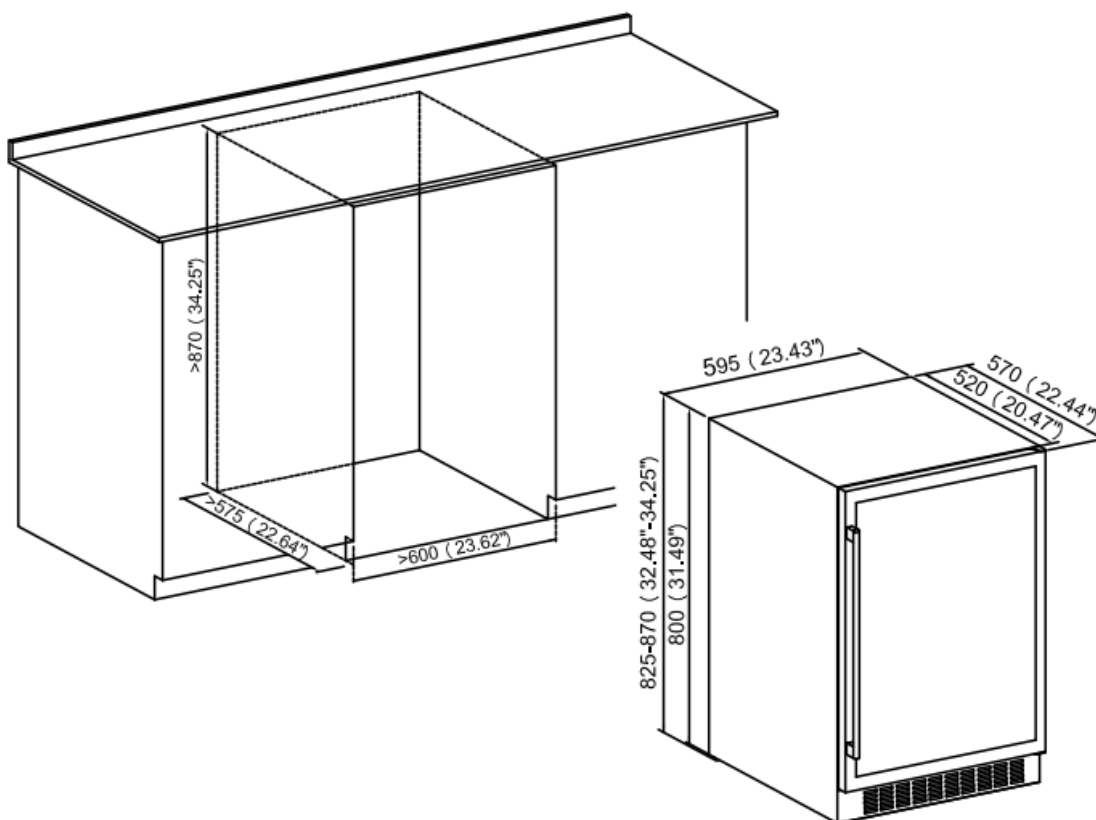
# Installation & operation

## Position

- ⚠ Do not angle the appliance over more than 45 degrees when moving into position .
- ⚠ The appliance must be placed on a level and flat surface.
- ⚠ Do not place appliance in damp/wet area.
- ⊘ Do not place appliance in area where it will be exposed to frost or weather conditions.
- ⊘ Do not use outdoors unless placed in fully covered areas that avoids exposure to direct weather conditions.

**The appliance is designed so it can be build in under counter /bench tops or be positioned and operated stand alone .**

Refer to illustration below for dimensions required to position appliance under counter/bench top.



After installation , run the appliance for approximately 1 Hour to allow the internal compartment to get cool before placing beverage cans or bottles inside compartment.

## Start operation

1. Before switching appliance On for the first time , clean the internal surfaces of the compartment by wiping with damp cloth as per Maintenance & Cleaning instruction further in this instructions booklet and check that drainage pipe is connected properly
2. Let the appliance settle for at least 30 minutes after it was moved into position before switching appliance On ( To allow for refrigerant to normalize )
3. Switch the power On and operate for 1 Hour and check if it is cooling properly after this period of time, before placing any beverage cans or bottles in the appliance cooling compartment.

## Control panel



Note: None of the Control panel keys can be operated if appliance is in Locked Mode. ( To Lock or Unlock refer to key function details below )



### ON/OFF

1. Hold down the on/off key for 3 seconds to power down, unit will go into stand-by mode.
2. Hold down the on/off key again 3 seconds to return unit back to normal working operation.



### Light

Press this Key to turn LED light On or Off inside the cooling compartment .  
In Stand-By mode the light cannot be activated.



### UP

Press the key once, LED display will begin flashing showing current set temperature.  
Continue pressing to adjust set temperature, one press increases 1°C. Flashing will cease after 5 seconds of no activity and new set temperature will be saved. LED display will return to show actual temperature inside.



### Down

Press the key once, LED display will begin flashing showing current set temperature.  
Continue pressing to adjust set temperature, one press reduce 1°C. Flashing will cease after 5 seconds of no activity and new set temperature will be saved. LED display will return to show actual temperature inside.



### Child Lock ( Combination key )

1. Lock : Hold down both keys at the same time for 3 seconds to lock.
2. Unlock : Hold down both keys at the same time for 3 seconds to unlock.



### Fahrenheit/Celsius display interchange

Switch temperature display between Fahrenheit and Celsius by pressing both keys.

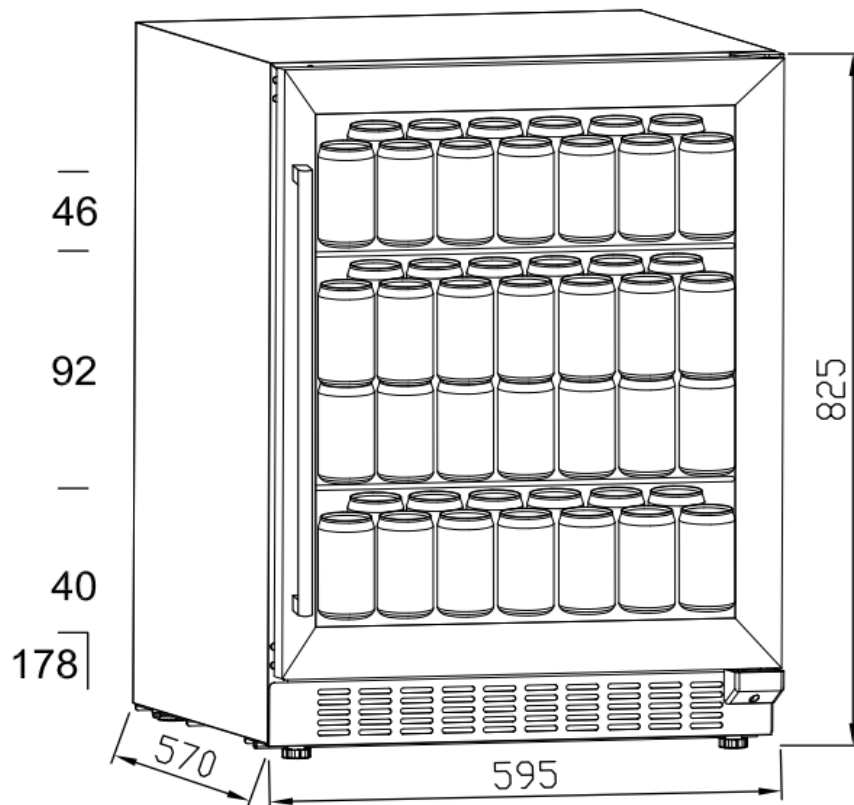


**⚠ Attention**

1. The cooling temperature could be set from **0°C-10°C**.
2. Alarm sound: when a system malfunction occurs and alarm sounds, press any key on the control panel to cancel the alarm sound.
3. Temperature sensor failure:  
If a temperature sensor failures occur, error code displays. E1 for open circuit; E2 for short circuit..

## **Beverage storage**

- ✧ This appliance is equipped with chromed wire shelves to store your beverages.
- ✧ 3 chromed wire shelves loading capacity: **178** cans. (standard can with  $\Phi 66 \times 123 \text{H}'\text{mm}'$ )



Loading capacity will vary in terms of different way of cans arrangement or different can sizes.

- ✧ Each shelf can pull out partly to place cans easily.
- ✧ Open the door wide enough before pulling out shelves.
- ✧ If the beverage cooler is not in use for long periods of time, it is recommended to power it off, clean it carefully, and open the door for ventilation

# Troubleshooting

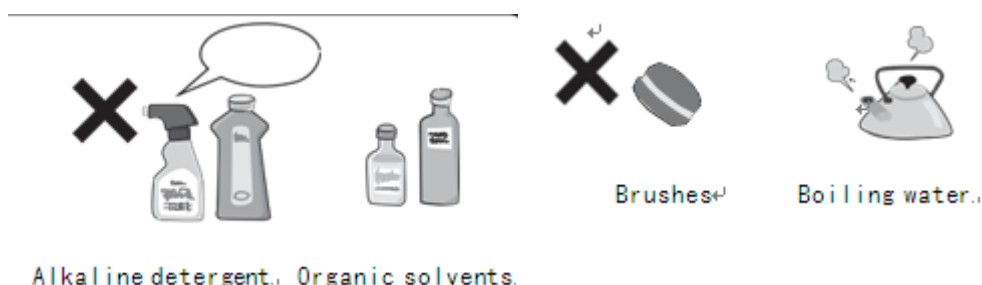
The appliance make a noise during operation?	<ul style="list-style-type: none"> <li>● If unit is not level vibration will cause noise, level appliance by adjusting the adjustable feet underneath the appliance. Allow for a little space between rear of appliance and back wall.</li> </ul>
Liquid flowing sound inside the cabinet?	<ul style="list-style-type: none"> <li>● This is normal because of the refrigerant circulating inside.</li> </ul>
The appliance does not start ?	<ul style="list-style-type: none"> <li>● Make sure the appliance is connected to the power properly.</li> <li>● Make sure switch on the power.</li> <li>● The compressor re-starts after 5 minutes after a power cut.</li> </ul>
Compressor runs continuously?	<ul style="list-style-type: none"> <li>● If no cold air is being produced, call the after-sale service.</li> </ul>
Door does not seal tightly ?	<ul style="list-style-type: none"> <li>● After a long period of use, the door seal might get stiff &amp; distorted partially. <ol style="list-style-type: none"> <li>1. Heat the door sea slightly with heat gun or with or hot towel.</li> <li>2. The door seal will soften and then close the door.</li> </ol> </li> </ul>
The appliance does not cool sufficiently?	<ul style="list-style-type: none"> <li>● Please adjust temperature setting.</li> <li>● Keep the appliance away from sunlight or heat.</li> <li>● Please do not open the door frequently.</li> </ul>
Unpleasant smells inside cabinet ?	<ul style="list-style-type: none"> <li>● A little bit of plastic smell for newly purchased appliance is normal and will disappear after a short time.</li> <li>● Clean the compartment and ventilate it for a few hours.</li> </ul>
Condensate on the glass door ?	<ul style="list-style-type: none"> <li>● Please do not open the door frequently or for a long time.</li> <li>● Please do not set the temperature too low.</li> <li>● High ambient temperature and humidity will cause condensation</li> </ul>
The light is not working ?	<ul style="list-style-type: none"> <li>● Check the power supply first.</li> <li>● Call the retailer's after-sale service if the light is broken.</li> </ul>

# Maintenance and cleaning

## Cleaning

- Disconnect the appliance before cleaning.
- Clean the appliance with soft cloth or sponge by water.
- Do not use organic solvents, alkaline detergent, boiling water, washing powder or acid liquid etc.
- Do not flush the compartment of the appliance.

The below items will damage the surface of beverage cooler:



## Power Outage

During a incidental power outage do not open the door, the beverages will stay relatively cool for a period of time until power gets restored .

During long periods of power outage , switch appliance Off at the power point and open the door to allow appliance to vent, remove beverages if need be to store temporarily in a cooler place.

## Out of service for long time

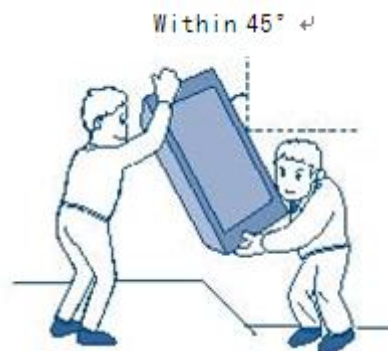
Remove all beverage from the appliance, unplug the appliance, thoroughly clean the inside and outside of the appliance, store the appliance properly.



If the appliance is disconnected or if there is a power cut, you must wait at least five minutes before compressor kicks in and refrigerant starts circulating.

## Moving the appliance

- Cut off the power supply and unplug the appliance.
- Remove all beverage from the appliance.
- When moving the appliance, do not lean the appliance over 45°.



## Technical parameters

<b>Product model</b>	Bellini
Voltage/frequency	220-240V ~ /50Hz
Refrigerant/weight	R600a / 35g
Effective volume	145 L Gross
Loading capacity	178 Stand size cans
Net weight	43.0kg
Unit dimension (WxDxH)	595×570×825-870mm
Packing dimension (WxDxH)	680x670x905 mm

### Remarks :

1. The Net weight includes shelves and the Unit dimension is without handle on the door.
2. The manufacturer reserves all the rights to change the above parameters without prior notice. Please refer to the nameplate of your appliance.
3. Loading capacity will vary in terms of different way of cans arrangement or different can sizes.
4. The product height could be adjusted from 825 to 870mm by 4 plastic feet.

## WARRANTY

1.1 In this warranty:

1.1.1 Australian Consumer Law means the law as set out in Schedule 2 of the Competition and Consumer Act 2010;

1.1.2 **Company** means GSM Retail Australia Pty Ltd ABN 53 007 682 475 of 142-144 Fullarton Road, Rose Park SA 5067. Telephone 1300 373 199. Email [admin@gsmretailaust.com.au](mailto:admin@gsmretailaust.com.au);

1.1.3 **Consumer** means a “consumer” as that term is defined in Section 3 of the Australian Consumer Law as the original purchaser of a Bellini product;

1.1.4 **Consumer Guarantees** means the guarantees under the Australian Consumer Law;

1.1.5 **You** means the Consumer.

1.2 Nothing in this warranty affects any person’s rights under the Australian Consumer Law. The benefits to any Consumer under this warranty are in addition to the rights and remedies available under any Consumer Guarantees.

1.3 Subject to the other clauses of this warranty, the Company warrants to the Consumer that the product will be free of manufacturing defects and will perform to the Company’s specifications.

1.4 The benefit of this warranty extends only to the Consumer as original purchaser of a Bellini product which is installed in a domestic household area.

\*The in Home warranty does not apply to Commercial and or industrial usage. *\*Please See 1.7.7 for additional information*

1.5 This warranty commences on the date of purchase of the product by the Consumer and continues for the benefit only of the Consumer until the expiry of three (2) year (**Warranty Period**).

1.6 If within the Warranty Period a manufacturing defect is discovered in the Bellini product or it fails to perform to the Company’s specifications as a result of some defect in materials, components or workmanship (Defect) then the Company will, at its option, repair the product or supply a replacement product free of charge. A replacement Bellini product may differ from the original product purchased by the Consumer.

1.7 This warranty will not apply to any Bellini product:

1.7.1 Installed by any person other than a qualified tradesperson; or

1.7.2 Subjected to misuse, neglect, negligence or accidental damage; or

1.7.3 Operated in any way contrary to any operating or maintenance instructions; or

1.7.4 Improperly handled, installed or maintained; or

1.7.5 Altered or modified prior to or after installation; or

1.7.6 Damaged directly or indirectly by power surges, electrical storm damage or connection to incorrect power supply

1.7.7 Industrial and or Commercial usage is inclusive of staff areas in office/ shop environments, hotel/ motel or other similar accommodation or rental type properties including Bed and Breakfast establishments.

The Australian Consumer Law requires the inclusion of the following statement with this warranty:

***Our goods come with guaranteed that cannot be excluded under the Australian Consumer Law. You are entitled to a replacement or refund for a major failure and for compensation for any other reasonably foreseeable loss or damage. You are also entitled to have the goods repaired or replaced if the goods fail to be of acceptable quality and the failure does not amount to a major failure.***

**IN ORDER TO MAKE A CLAIM UNDER THIS WARRANTY THE CONSUMER MUST CALL 1300 373 199 (AUSTRALIA) OR 0800 764 912**

**(NEW ZEALAND) TO CONNECT TO THE NEAREST AUTHORISED CENTRE**

1.8 You must provide proof of your purchase of the Bellini product and the date of purchase in order to obtain the benefit of this warranty.

1.9 If you live outside the service area of the Company or one of its service agents, this warranty does not cover the cost of transport of the Bellini product for service nor the service agent's traveling costs to and from your home.

1.10 If you are required to transport the Bellini product to the Company or its service agent, you must ensure it is safely disconnected by a qualified tradesman and securely packed and insured. The Company does not accept any responsibility for loss or damage of the Bellini product prior to it being received by the Company or its service agent.

1.11 You will be responsible for all costs of returning a Bellini product to the Company and for redelivery of the Bellini product by the Company (whether it is the original or a repaired and/or a replacement Bellini product) and for any other expenses you incur in claiming under this warranty.

1.12 The Company or its service agent will examine any Bellini product and if the Company determines that it is defective through no fault of the Owner and is otherwise undamaged, the Company will repair or replace the Bellini product in accordance with this warranty.

**DO NOT SEND IN THIS WARRANTY**

*Fill out the following details and file with your purchase invoice.*

**RETAIN & FILE WITH YOUR RECEIPT**

Your Purchase Receipt/Invoice is proof of date of purchase. If you are unable to establish the date of purchase, or if the fault is not covered by this warranty, or if the product is found to be in working order, you will be required to bear all service call charges.

GSM Retail Australia Pty Ltd reserves the right to discontinue items, modify designs and change specifications without incurring obligation.

Whilst every effort is made to ensure that descriptions, specifications and other information in this publication is correct, no warranty is given in respect thereof and the company shall not be liable for any errors therein.

Purchased from:

Co. Name:

Address:

Date of Purchase:

Serial number:

NOTE: Consistent with our continuing product development policy, improvements may have been made which render the contents of this packaging slightly different to that shown.

**FOR WARRANTY SERVICE CALL 1300 373 199 (AUSTRALIA)  
OR 0800 764 912 (NEW ZEALAND) TO CONNECT YOU TO THE  
NEAREST AUTHORISED SERVICE CENTRE**

